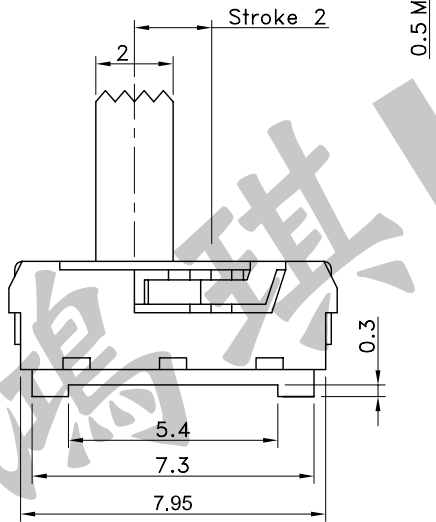
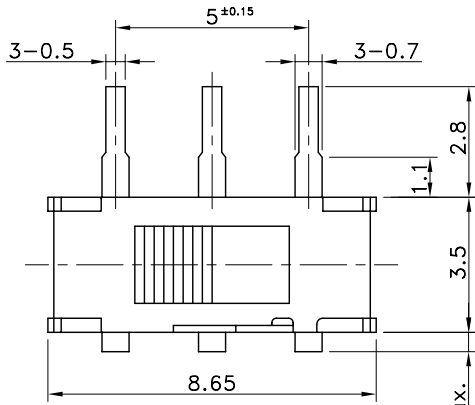
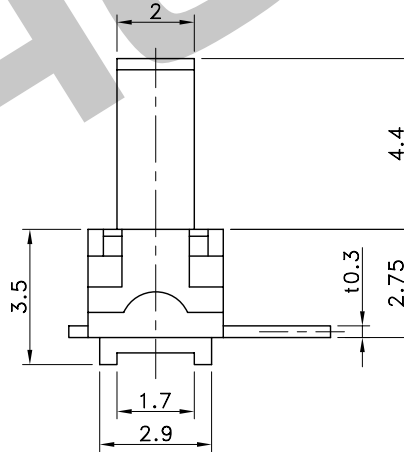


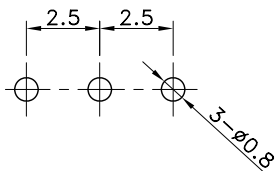
5	Cover	Stainless Steel		
4	Case	PPA		UL94HB, Black
3	Terminal	Brass	Ag Plating	
2	Slider	PPA		UL94HB, Black
1	Clip	Phosphor Bronze	Ag Clad	
No.	Parts	Material	Finish	Remarks



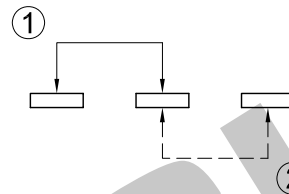
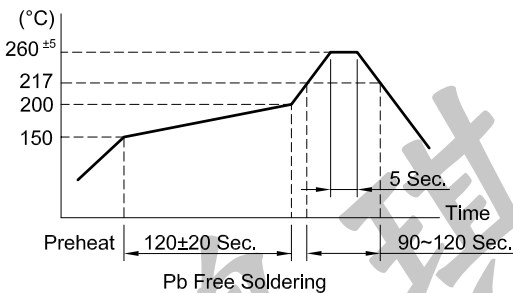
P.C.B TERMINAL POSITION



CIRCUIT ARRANGEMENT




SOLDERING CONDITIONS



SPECIFICATIONS

- Rating : DC 30V 300mA
- Contact Resistance : 30mΩ Max. at DC 5V 1A
- Insulation Resistance : 100MΩ Min. at DC 500V
- Dielectric Strength : [Between Terminals]  
AC 800V for 1 Minute  
[Between Terminals and Earth]  
AC 1,100V for 1 Minute
- Operating Force : 150<sup>+100</sup><sub>-50</sub> gf
- Stroke : 2mm
- Life : 10,000 Cycles
- Operating Temperature Range : -10~+60°C
- Manual soldering : Tip Temperature 350±10°C  
Soldering Time 3 Sec.

REVISION:	DATE:	REVISION:	DATE:
UNIT:mm	THIRD ANGLE PROJECTION METHOD	TOL. UNLESS OTHERWISE STATED:±0.3	CODE NO.:HCH-1672
ISSUED	CONFIRMED	PART NO.	
John	Elvis	SST-1230	
2010.06.01	2010.06.01	 <b>HORNG CHIH</b> 鴻琪股份有限公司	