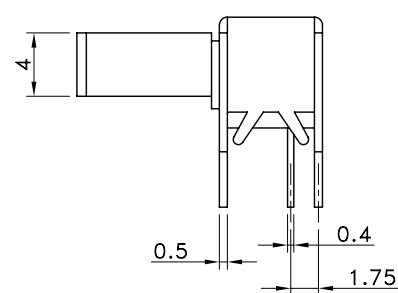
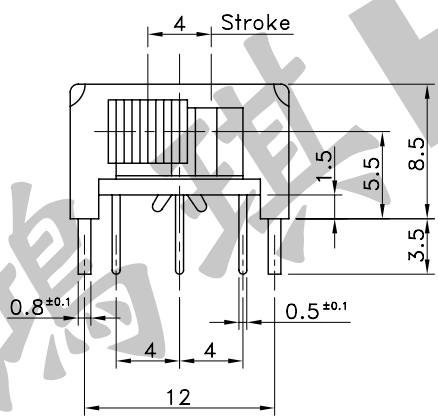
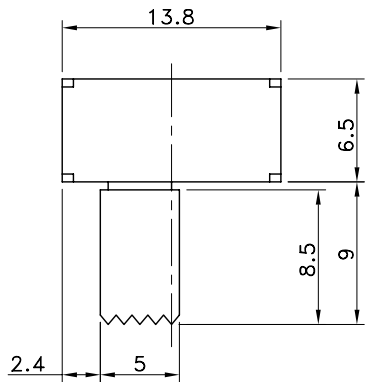
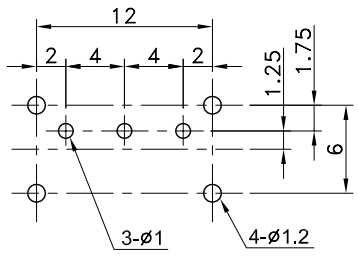


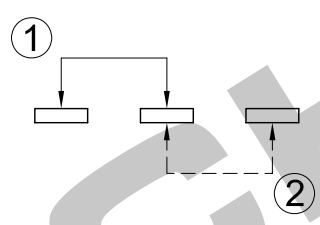
| | | | | |
|-----|-------------|--------------------------|------------|---------------|
| 7 | Coil Spring | Stainless Steel | | |
| 6 | Steel Ball | Stainless Steel | | |
| 5 | Insulator | Bake Lite | | UL94HB |
| 4 | Frame | Cold Rolled Carbon Steel | Sn Plating | |
| 3 | Terminal | Brass | Ag Plating | |
| 2 | Slider | Acetal | | UL94HB, Black |
| 1 | Clip | Phosphor Bronze | Ag Clad | |
| No. | Parts | Material | Finish | Remarks |



P.C.B TERMINAL POSITION



CIRCUIT ARRANGEMENT



SOLDERING CONDITIONS

| | Temperature (°C) | Time (Sec.) |
|------------------|------------------|-------------|
| Dip Soldering | 270±5 | 5±1 |
| Manual Soldering | 350±10 | 3 |

SPECIFICATIONS

- Rating : DC 15V 500mA
- Contact Resistance : 20mΩ Max.
- Insulation Resistance : 100MΩ Min. at DC 500V
- Dielectric Strength : [Between Terminals] AC 800V for 1 Minute
[Between Terminal and Earth] AC 1,100V for 1 Minute
- Operating Force : 250±100gf
- Stroke : 4mm
- Life : 10,000 Cycles
- Operating Temperature Range : -10~+60°C

| | | | | | | | |
|------------|--|-------------------------------|--|--------------------------------------|--|---------------------|--|
| REVISION: | | DATE: | | REVISION: | | DATE: | |
| UNIT:mm | | THIRD ANGLE PROJECTION METHOD | | TOL. UNLESS OTHERWISE STATED:±0.3 | | CODE NO.:HCH-1383-1 | |
| ISSUED | | CONFIRMED | | PART NO. | | SST-1227 | |
| John | | Elvis | | HCH® HORNG CHIH 鴻琪股份有限公司 | | | |
| 2013.09.26 | | 2013.09.26 | | ISO9001 Certified ISO14001 Certified | | | |