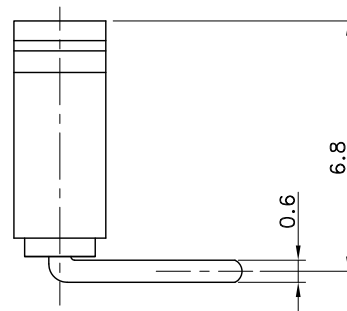
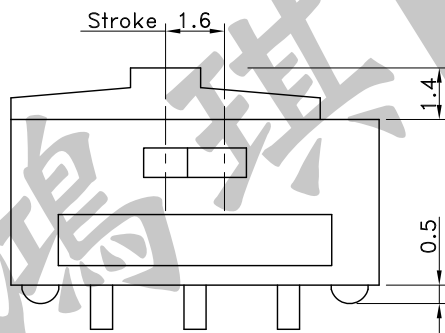
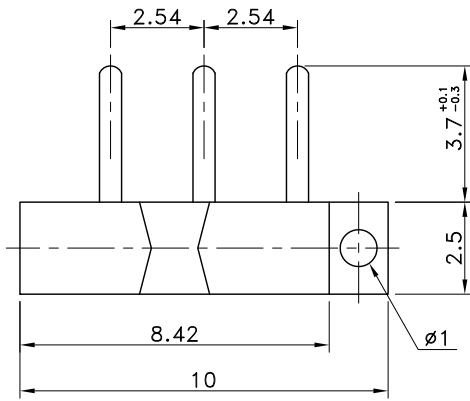
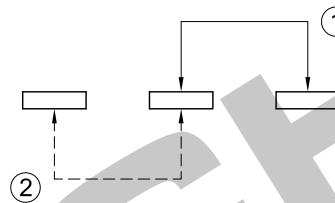
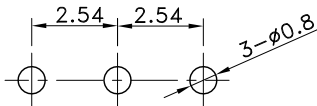


6	Ball	SUJ2 Wire	1
5	Side ,Center Pin	Brass C3604	1
4	Contact	Brass	1
3	Spring	Stainless Steel	1
2	Slider	Nylon	1
1	Case	Nylon	1
No.	Parts	Material	Q'ty



### P.C.B TERMINAL POSITION

### CIRCUIT ARRANGEMENT



### SOLDERING CONDITIONS

### SPECIFICATIONS

	Temperature (°C)	Time (Sec.)
Auto Soldering	260	5
Manual Soldering	350	3~4

- Rating : AC/DC 12V 500mA~24V 300mA
- Contact Resistance : 30mΩ Max.
- Insulation Resistance: 10,000MΩ Min. at DC 500V
- Dielectric Strength : AC 500V for 1 Minute
- Operating Force : 250±150 gf
- Stroke : 1.6 mm
- Life : 2,000 Cycles (with load)  
10,000 Cycles (without load)
- Operating Temperature Range : -40~+85°C
- Storage Temperature Range : -40~+85°C

REVISION:		DATE:		REVISION:		DATE:	
UNIT:mm		THIRD ANGLE PROJECTION METHOD		TOL. UNLESS OTHERWISE STATED:±0.3		CODE NO.: HCH-1056-3	
ISSUED		CONFIRMED		PART NO.		SST-1223	
John		Elvis		HCH® HORNG CHIH ISO9001 Certified ISO14001 Certified 鴻琪股份有限公司			
2019.12.11		2019.12.11					