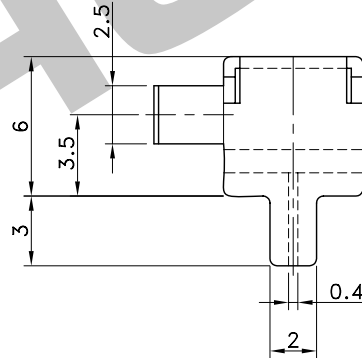
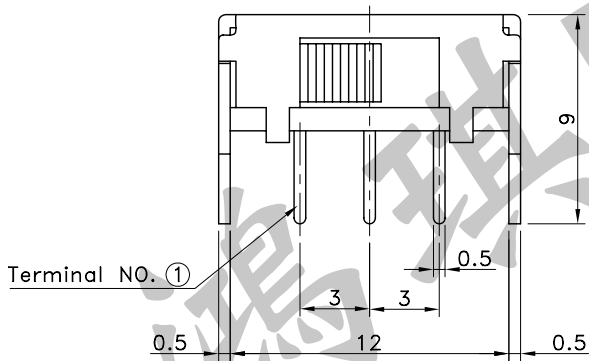
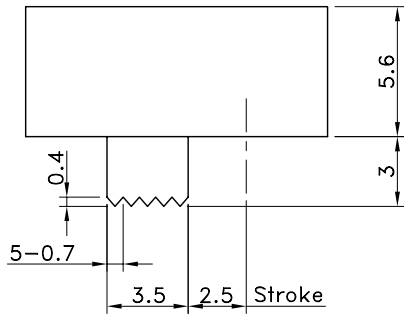
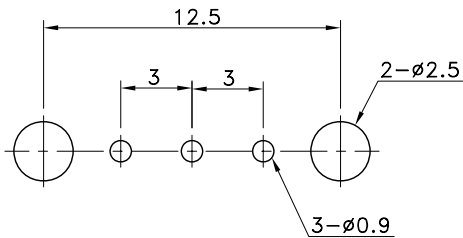


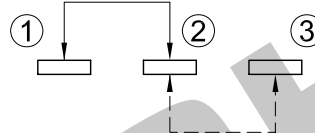
7	Terminal	Brass	Ag Plating	
6	Steel Ball	Stainless Steel		
5	Slider	Nylon66		UL 94HB, Black
4	Insulator	Bakelite		
3	Frame	Cold Rolled Carbon Steel	Sn Plating	
2	Coil Spring	Stainless Steel Wire		
1	Clip	Phosphor Bronze	Ag Clad	
No.	Parts	Material	Finish	Remarks



P.C.B TERMINAL POSITION



CIRCUIT ARRANGEMENT



SOLDERING CONDITIONS

	Temperature (°C)	Time (Sec.)
Auto Soldering	260±5	5±1
Manual Soldering	350±10	3

SPECIFICATIONS

- Rating : DC 30V 200mA
DC 5V 1.4A
- Contact Resistance : 30mΩ Max.
- Insulation Resistance : 100MΩ Min. at DC 500V
- Dielectric Strength : [Between Terminals]
AC 800V for 1 Minute
[Between Terminals and Earth]
AC 1,100V for 1 Minute
- Operating Force : 200±50gf
- Stroke : 2.5mm
- Life : 10,000 Cycles
- Operating Temperature Range : -10~+60°C

REVISION:		DATE:		REVISION:		DATE:	
UNIT:mm	THIRD ANGLE PROJECTION METHOD	TOL. UNLESS OTHERWISE STATED:±0.3		CODE NO.:HCH-1302-2			
ISSUED	CONFIRMED	HCH ISO9001 Certified ISO14001 Certified HORNG CHIH 鴻琪股份有限公司		PART NO. SST-1201			
John	Elvis						
2009.11.11	2009.11.11						