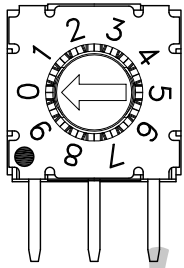
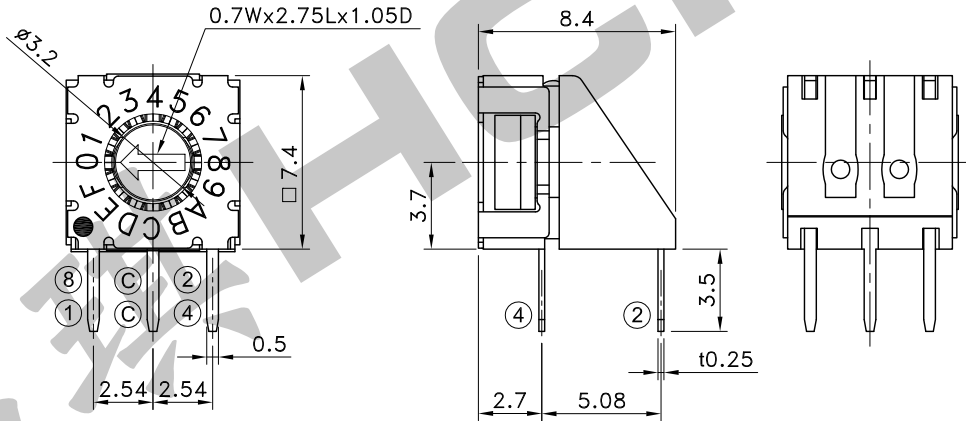


9	Terminal	Brass	Gold Plated	
8	Terminal Contact	Brass	Gold Plated	
7	Movable Contact	Copper Alloy	Gold Plated	
6	Spacer	Stainless Steel		
5	Step	Stainless Steel		
4	Seal	Silicone Rubber		Natural
3	Rotor	Thermoplastic		Ivory White
2	Cover	Stainless Steel		
1	Base	Thermoplastic		Black
No.	Parts	Material	Finish	Remarks

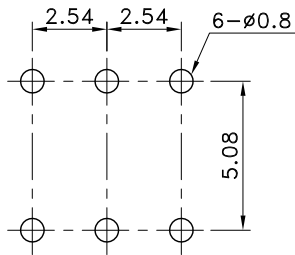
[RRS-3411]



[RRS-3412]



P.C.B TERMINAL POSITION



CODE FORMAT

Part No. (No. of Positions)	RRS-3412 (16 Positions)															
	RRS-3411 (10 Positions)															
Position	0	1	2	3	4	5	6	7	8	9	A	B	C	D	E	F
Complementary Code	8	●	●	●	●	●	●	●	●							
	4	●	●	●	●				●	●	●	●				
	2	●	●			●	●		●	●			●	●		
	1	●		●		●		●	●		●	●		●	●	

● --- Contact Closed

SOLDERING CONDITIONS

	Temperature (°C)	Time (Sec.)
Auto Soldering	280 Max.	5 Max.
Manual Soldering	350 Max.	3 Max.

SPECIFICATIONS

- Rating : DC 42V 400mA (Non-Switching)
DC 42V 100mA (Switching)
- Contact Resistance : 80mΩ Max.
- Insulation Resistance : 100MΩ Min.
- Dielectric strength : AC 250V for 1 Minute
- Operating Force : 120±30 gf · cm Max.
- Life : 25,000 Cycles
- Operating Temperature Range : -60~+125°C
- Storage Temperature Range : -60~+125°C
- Waterproof : IP67

REVISION:	DATE:	REVISION:	DATE:
UNIT:mm	THIRD ANGLE PROJECTION METHOD	TOL. UNLESS OTHERWISE STATED:±0.3	CODE NO.:HCH-2451-1
ISSUED	CONFIRMED	PART NO.	
<i>John</i>	<i>Elvis</i>	RRS-3411	
2023.08.16	2023.08.16	RRS-3412	
		HORNG CHIH 鴻琪股份有限公司	