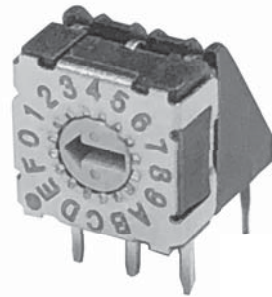
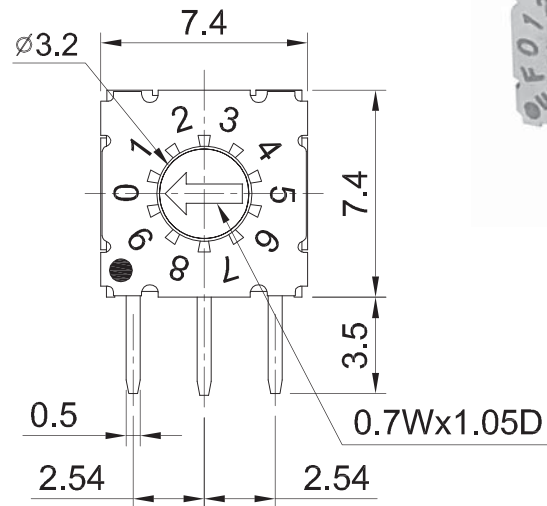


# DIP SWITCHES

## RRS-34

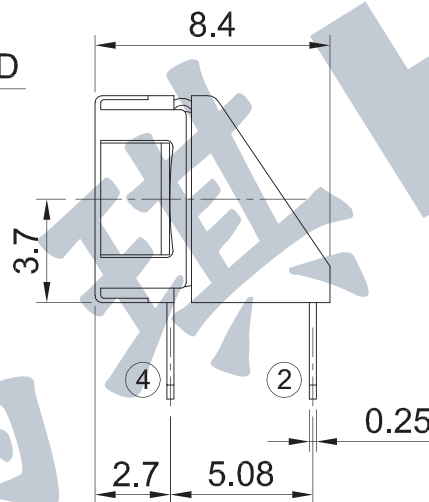
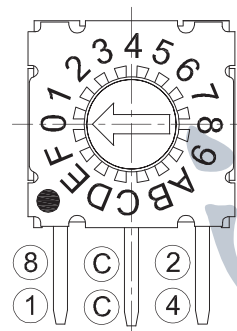
- Rating: DC42V 100mA
- Force: 120±30gf · cm Max.
- Life: 25,000 Cycles

RRS-3401 RRS-3411



Part No.	Code	Position
RRS-3401	Real Code	10
RRS-3402	Real Code	16
RRS-3411	Complementary Code	10
RRS-3412	Complementary Code	16

RRS-3402 RRS-3412



Mounting Hole Layout

