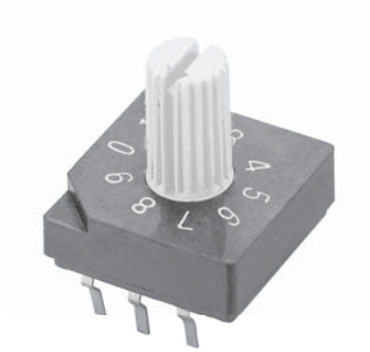
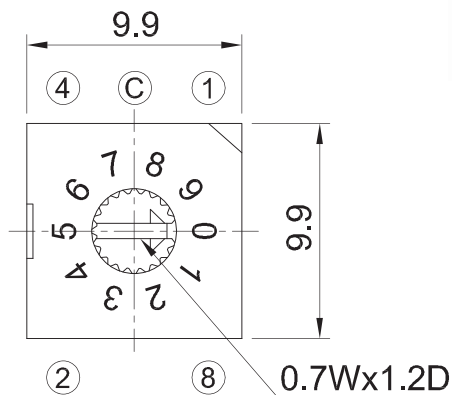


DIP SWITCHES

2+3 PIN RRS-31

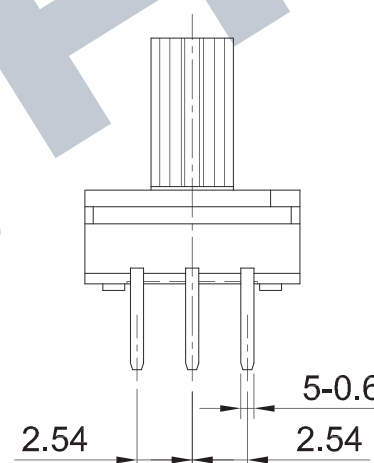
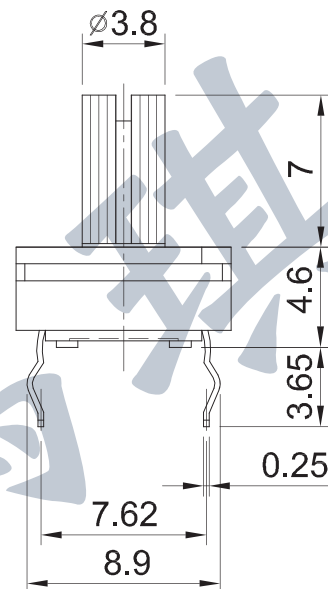
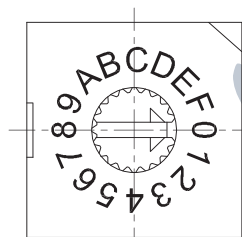
- Rating: DC50V 100mA
- Force: 200gf · cm Max.
- Life: 20,000 Cycles

RRS-3101 RRS-3111



Part No.	Code	Position
RRS-3101	Real Code	10
RRS-3102	Real Code	16
RRS-3111	Complementary Code	10
RRS-3112	Complementary Code	16

RRS-3102 RRS-3112



Mounting Hole Layout

