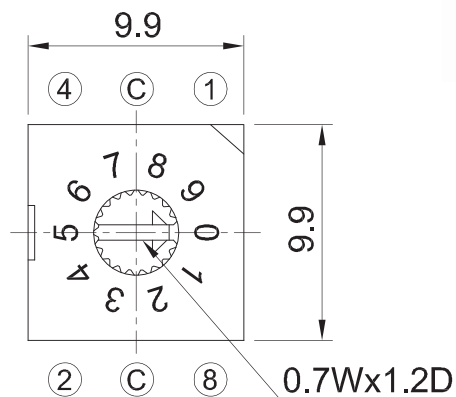


DIP SWITCHES

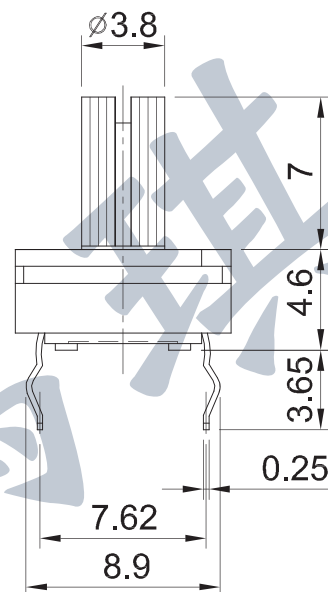
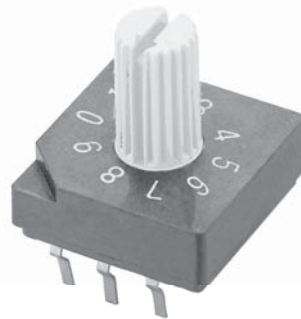
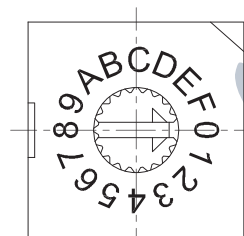
3+3 PIN RRS-30

- Rating: DC50V 100mA
- Force: 200gf · cm Max.
- Life: 20,000 Cycles

RRS-3001 RRS-3011



RRS-3002 RRS-3012



Part No.	Code	Position
RRS-3001	Real Code	10
RRS-3002	Real Code	16
RRS-3011	Complementary Code	10
RRS-3012	Complementary Code	16

Mounting Hole Layout

