

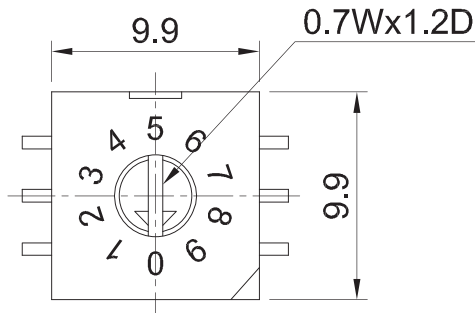
# DIP SWITCHES (HALOGEN FREE)

## REFLOW TYPE RRS-29

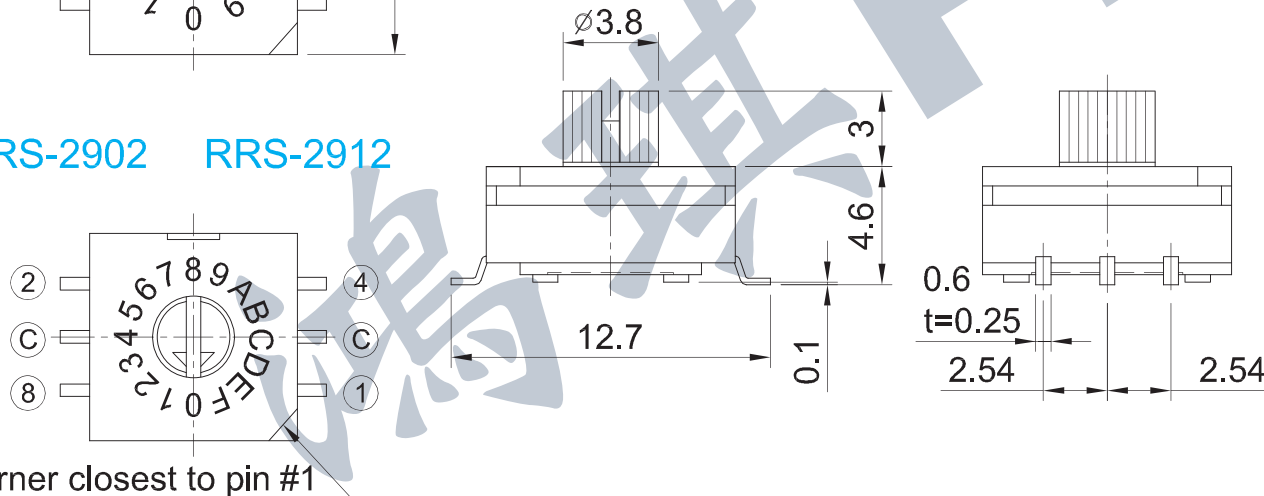


- Rating: DC50V 100mA
- Force: 200gf · cm Max.
- Life: 20,000 Cycles
- Package: 350 Pcs/Reel

RRS-2901 RRS-2911



RRS-2902 RRS-2912



Corner closest to pin #1

Part No.	Code	Position
RRS-2901	Real Code	10
RRS-2902	Real Code	16
RRS-2911	Complementary Code	10
RRS-2912	Complementary Code	16

### Pad Layout

