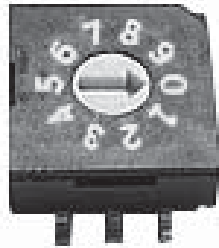


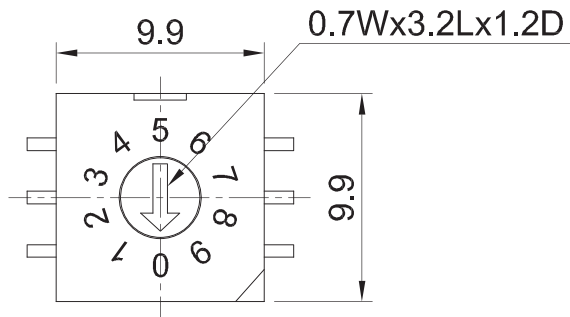
DIP SWITCHES (HALOGEN FREE)

REFLOW TYPE RRS-28



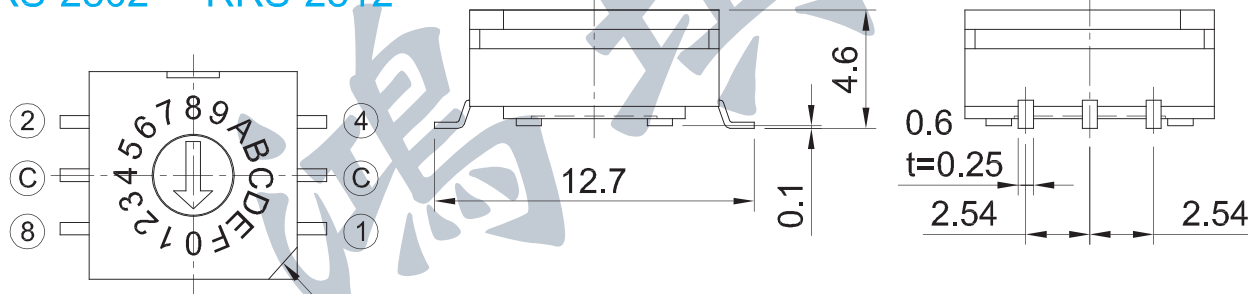
- Rating: DC50V 100mA
- Force: 200gf • cm Max.
- Life: 20,000 Cycles
- Package: 600 Pcs/Reel

RRS-2801 RRS-2811

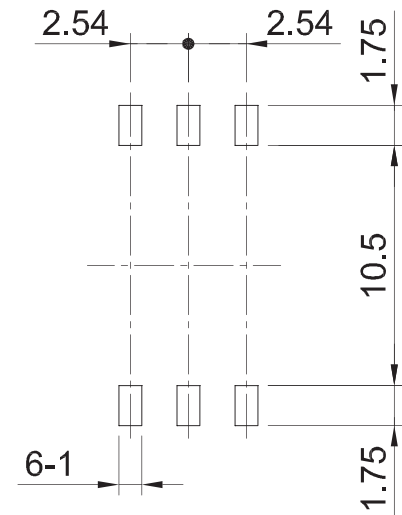


Part No.	Code	Position
RRS-2801	Real Code	10
RRS-2802	Real Code	16
RRS-2811	Complementary Code	10
RRS-2812	Complementary Code	16

RRS-2802 RRS-2812



Pad Layout



Corner closest to pin #1