

# DIP SWITCHES (HALOGEN FREE)

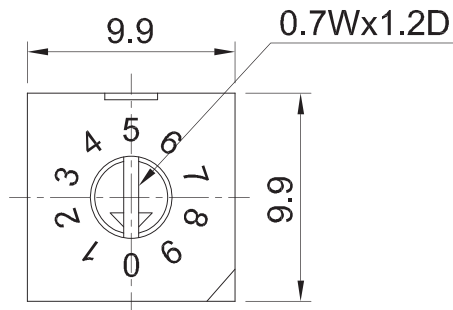
## RRS-27



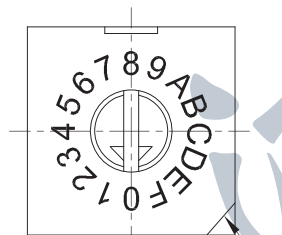
- Rating: DC50V 100mA
- Force: 200gf • cm Max.
- Life: 20,000 Cycles

Part No.	Code	Position
RRS-2701	Real Code	10
RRS-2702	Real Code	16
RRS-2711	Complementary Code	10
RRS-2712	Complementary Code	16

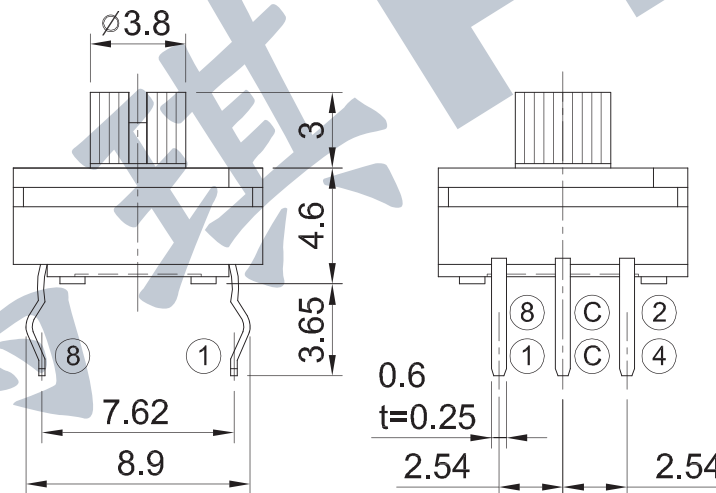
RRS-2701 RRS-2711



RRS-2702 RRS-2712



Corner closest to pin #1



Mounting Hole Layout

