

DIP SWITCHES (HALOGEN FREE)

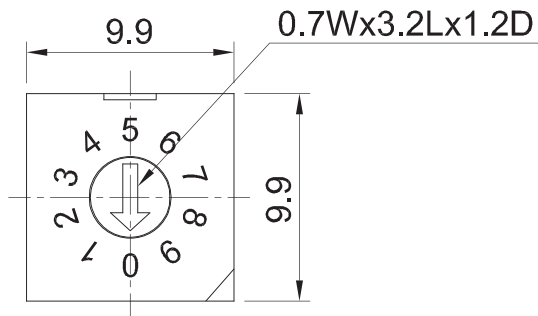
RRS-26



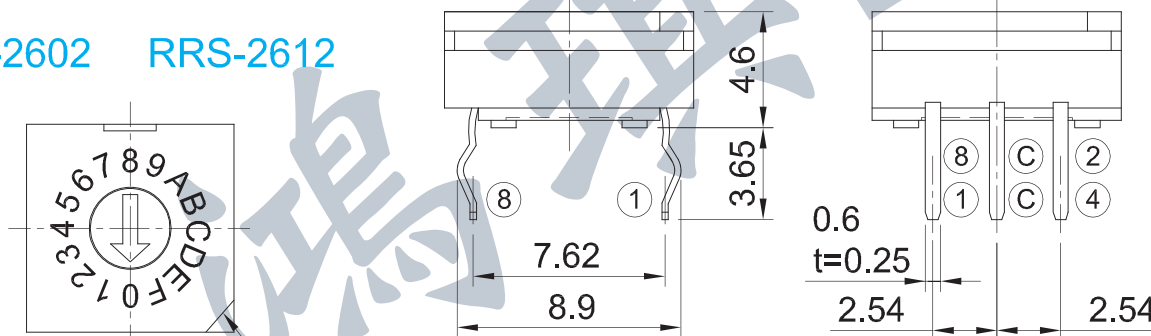
- Rating: DC50V 100mA
- Force: 200gf • cm Max.
- Life: 20,000 Cycles

Part No.	Code	Position
RRS-2601	Real Code	10
RRS-2602	Real Code	16
RRS-2611	Complementary Code	10
RRS-2612	Complementary Code	16

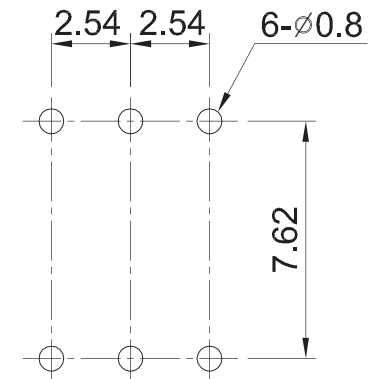
RRS-2601 RRS-2611



RRS-2602 RRS-2612



Mounting Hole Layout



Corner closest to pin #1