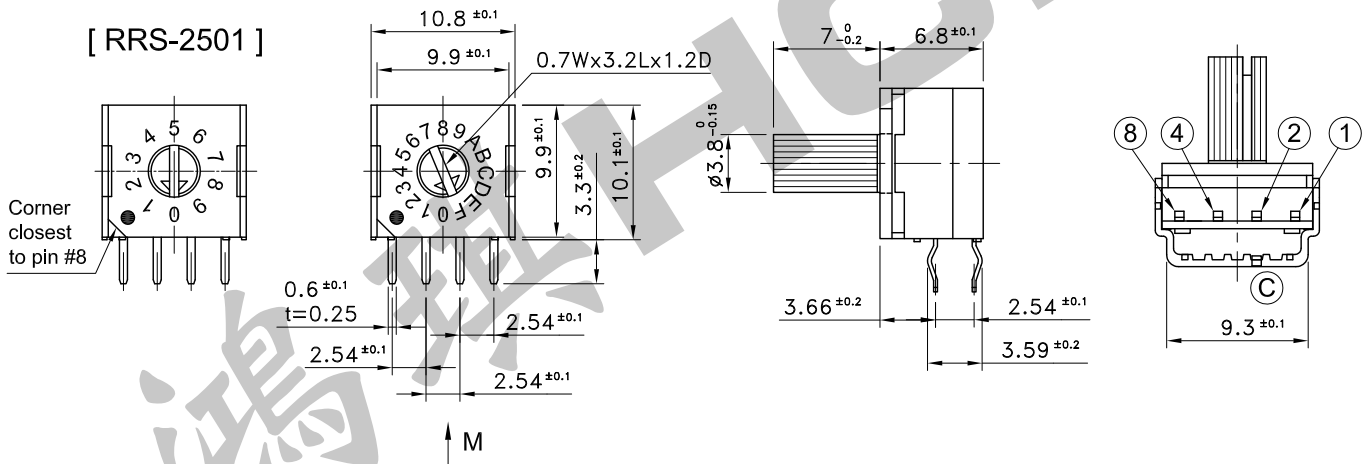


9	Terminal	Copper Alloy	Tin Plated	
8	Terminal Contact	Copper Alloy	Gold Plated	
7	Movable Contact	Copper Alloy	Gold Plated	
6	Spacer	Stainless Steel		
5	Step	Stainless Steel		
4	"O" Ring	Silicone Rubber		
3	Rotor	Thermoplastic		UL-94HB
2	Cover	Thermoplastic		UL-94HB
1	Base	Thermoplastic		UL-94HB
No.	Parts	Material	Finish	Remarks

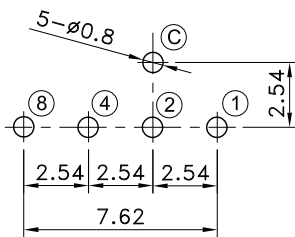
[RRS-2502]

VIEW M



P.C.B TERMINAL POSITION

CODE FORMAT



Part No. (No. of Positions)	RRS-2502 (16 Positions)															
	RRS-2501 (10 Positions)															
Position	0	1	2	3	4	5	6	7	8	9	A	B	C	D	E	F
8									●	●	●	●	●	●	●	●
4					●	●	●	●					●	●	●	●
2			●	●			●	●			●	●			●	●
1		●	●		●	●	●	●	●	●	●	●	●	●	●	●

● --- Contact Closed

SOLDERING CONDITIONS

SPECIFICATIONS

	Temperature (°C)	Time (Sec.)
Auto Soldering	260±5	10 Max.
Manual Soldering	350	3 Max.

- Rating Non Switching : Max. DC 50V 100mA
Min. AC/DC 20mV 1µA
Switching : DC 5V 20mA
- Contact Resistance : 100mΩ Max.
- Insulation Resistance : 1,000MΩ Min. at DC 100V
- Dielectric strength : AC 250V for 1 Minute
- Operating Force : 200 gf · cm Max.
- Life : 20,000 Cycles
- Operating Temperature Range : -40~+85°C
- Storage Temperature Range : -40~+85°C
- Water Proof : IP67

REVISION:	DATE:	REVISION:	DATE:
UNIT:mm	THIRD ANGLE PROJECTION METHOD	TOL. UNLESS OTHERWISE STATED:±0.3	CODE NO.: HCH-2600
ISSUED	CONFIRMED	PART NO.	
<i>John</i>	<i>Elvis</i>	RRS-2501	
2025.09.01	2025.09.01	RRS-2502	
		HORNG CHIH 鴻琪股份有限公司	