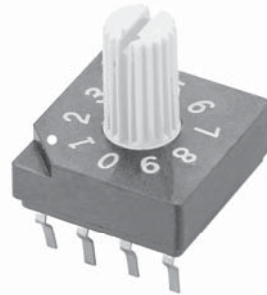


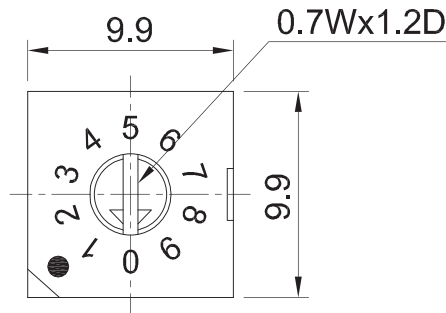
# DIP SWITCHES

## RRS-24

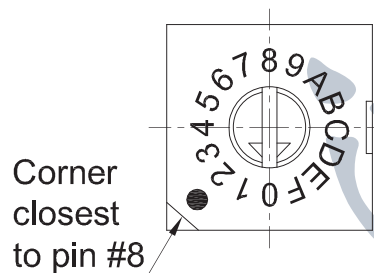


- Rating: DC50V 100mA
- Force: 200gf • cm Max.
- Life: 20,000 Cycles

RRS-2401 RRS-2411



RRS-2402 RRS-2412



Part No.	Code	Position
RRS-2401	Real Code	10
RRS-2402	Real Code	16
RRS-2411	Complementary Code	10
RRS-2412	Complementary Code	16

Mounting Hole Layout

