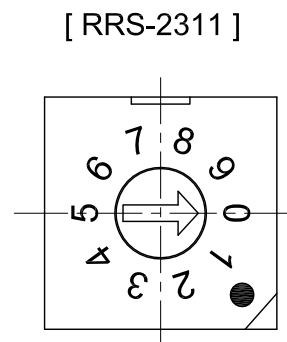
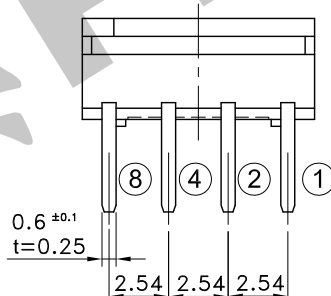
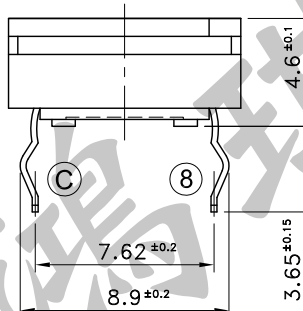
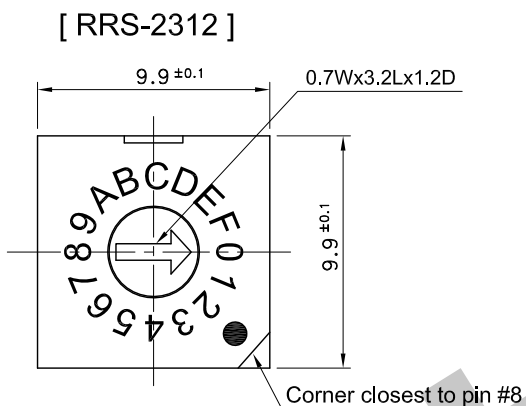
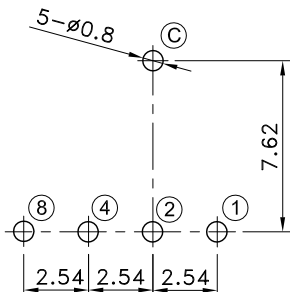


9	Terminal	Copper Alloy	Tin Plated	
8	Terminal Contact	Copper Alloy	Gold Plated	
7	Movable Contact	Copper Alloy	Gold Plated	
6	Spacer	Stainless Steel		
5	Step	Stainless Steel		
4	"O" Ring	Silicone Rubber		
3	Rotor	Thermoplastic		UL-94HB, Green
2	Cover	Thermoplastic		UL-94HB, Blue
1	Base	Thermoplastic		UL-94HB, Blue
No.	Parts	Material	Finish	Remarks



P.C.B TERMINAL POSITION



SOLDERING CONDITIONS

	Temperature (°C)	Time (Sec.)
Auto Soldering	260±5	10 Max.
Manual Soldering	350	3 Max.
	270	5 Max.

CODE FORMAT

Part No. (No. of Positions)	RRS-2312 (16 Positions)															
	RRS-2311 (10 Positions)															
Position	0	1	2	3	4	5	6	7	8	9	A	B	C	D	E	F
Complementary Code	8	●	●	●	●	●	●	●	●							
	4	●	●	●	●					●	●	●				
	2	●	●			●	●			●			●	●		
	1	●		●		●		●		●		●		●		●

● --- Contact Closed

SPECIFICATIONS

- Rating Non Switching : Max. DC 50V 100mA
Switching : DC 24V 25mA
- Contact Resistance : 100mΩ Max.
- Insulation Resistance : 1,000MΩ Min. at DC 100V
- Dielectric strength : AC 250V for 1 Minute
- Operating Force : 200 gf · cm Max.
- Life : 20,000 Cycles
- Operating Temperature Range : -40~+85°C
- Storage Temperature Range : -40~+85°C
- Water Proof : IP67

REVISION: _____ DATE: _____ REVISION: _____ DATE: _____

UNIT:mm THIRD ANGLE PROJECTION METHOD TOL. UNLESS OTHERWISE STATED:±0.3 CODE NO.: HCH-2491-1

ISSUED	CONFIRMED		HORNG CHIH 鴻琪股份有限公司	PART NO.
<i>John</i> 2023.08.16	<i>Elvis</i> 2023.08.16			RRS-2311 RRS-2312