

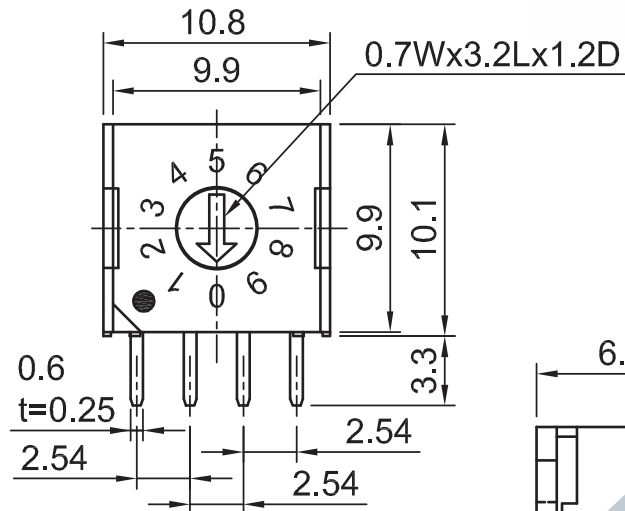
DIP SWITCHES

RRS-22

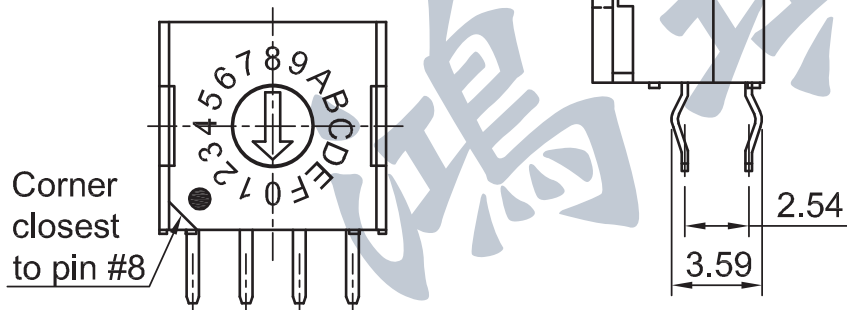


- Rating: DC50V 100mA
- Force: 200gf · cm Max.
- Life: 20,000 Cycles

RRS-2201 RRS-2211



RRS-2202 RRS-2212



Part No.	Code	Position
RRS-2201	Real Code	10
RRS-2202	Real Code	16
RRS-2211	Complementary Code	10
RRS-2212	Complementary Code	16

Mounting Hole Layout

