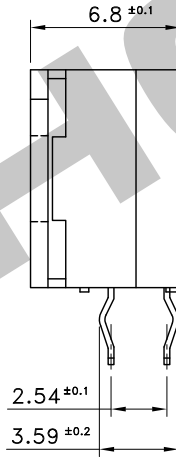
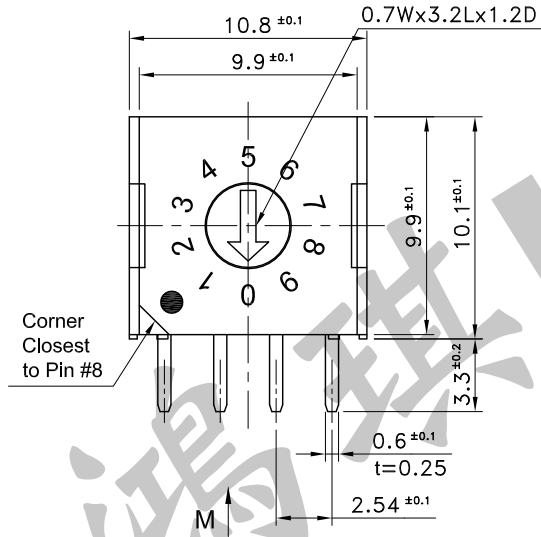
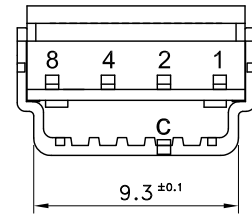


10	Rear Cover	Thermoplastic		Blue
9	Terminal	Brass	Tin Plated	
8	Terminal Contact	Brass	Gold Plated	
7	Movable Contact	Copper Alloy	Gold Plated	
6	Spacer	Stainless Steel		
5	Step	Stainless Steel		
4	Seal	Silicone Rubber		
3	Rotor	Thermoplastic		
2	Cover	Thermoplastic		Blue
1	Base	Thermoplastic		Blue
No.	Parts	Material	Finish	Remarks

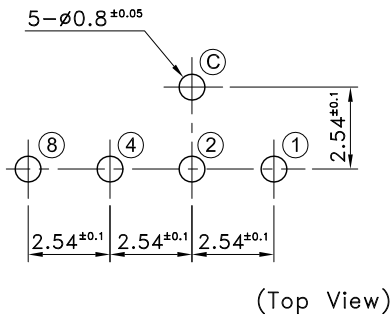


VIEW M



P.C.B TERMINAL POSITION

CODE FORMAT



(Top View)

Type (Rotor Color)		10 Steps									
		Circuit Characteristics									
		Position									
Terminals No.	0	1	2	3	4	5	6	7	8	9	
RRS-2201 (Gray)	8								●	●	
Real Code	4				●	●	●	●			
	2		●	●				●	●		
	1	●			●		●		●	●	

● --- Contact Closed

SOLDERING CONDITIONS

SPECIFICATIONS

	Temperature (°C)	Time (Sec.)
Auto Soldering	260±5	10 Max.
Manual Soldering	350	3 Max.

- Rating Non Switching : Max. DC 50V 100mA
Switching : DC 24V 25mA
- Contact Resistance : 100mΩ Max.
- Insulation Resistance : 1,000MΩ Min. at DC 100V
- Dielectric strength : AC 250V for 1 Minute
- Adjustment Torque : 200 gf · cm Max.
- Life : 20,000 Cycles
- Operating Temperature Range : -40~+85°C
- Storage Temperature Range : -40~+85°C
- Water Proof : IP67

REVISION:	DATE:	REVISION:	DATE:
UNIT:mm	THIRD ANGLE PROJECTION METHOD	TOL. UNLESS OTHERWISE STATED:±0.3	CODE NO.: HCH-2536
ISSUED	CONFIRMED	PART NO.	
<i>John</i>	<i>Elvis</i>	RRS-2201	
2023.10.05	2023.10.05	HCH HORNG CHIH ISO9001 Certified ISO14001 Certified 鴻琪股份有限公司	