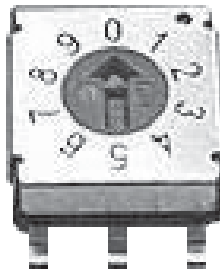
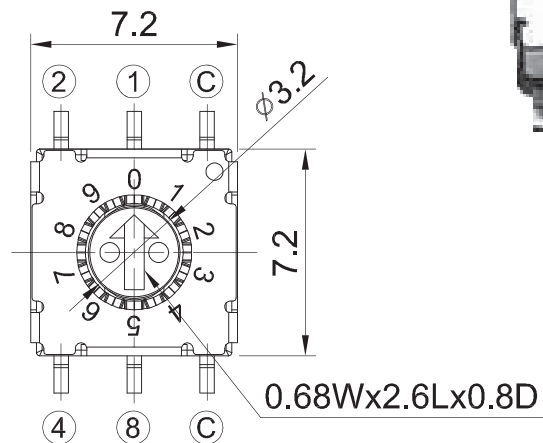


DIP SWITCHES

REFLOW TYPE RRS-21

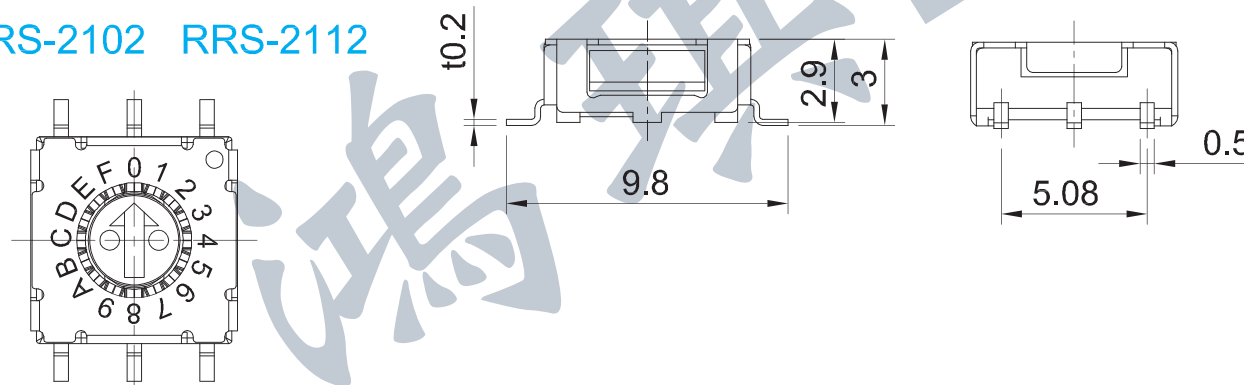
- Rating: DC50V 100mA
- Force: 200gf · cm Max.
- Life: 10,000 Cycles
- Package: 1,300 Pcs/Reel

RRS-2101 RRS-2111



Part No.	Code	Position
RRS-2101	Real Code	10
RRS-2102	Real Code	16
RRS-2111	Complementary Code	10
RRS-2112	Complementary Code	16

RRS-2102 RRS-2112



Pad Layout

