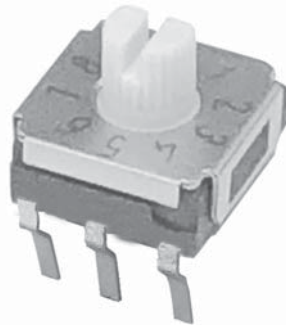
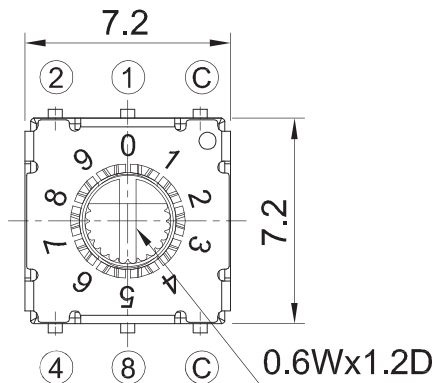


DIP SWITCHES

RRS-20

- Rating: DC42V 400mA
- Force: 120±30gf • cm Max.
- Life: 10,000 Cycles

RRS-2001 RRS-2011



Part No.	Code	Position
RRS-2001	Real Code	10
RRS-2002	Real Code	16
RRS-2011	Complementary Code	10
RRS-2012	Complementary Code	16

Mounting Hole Layout

RRS-2002 RRS-2012

