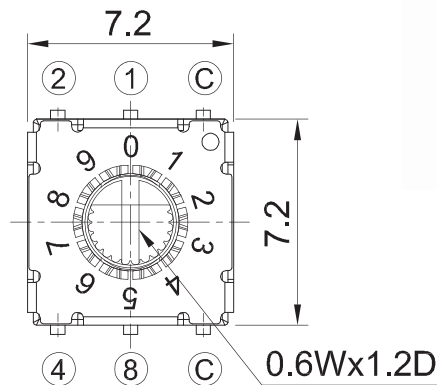


DIP SWITCHES

REFLOW TYPE RRS-19

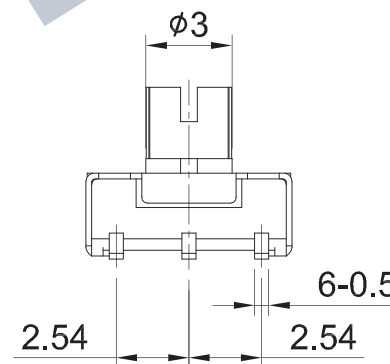
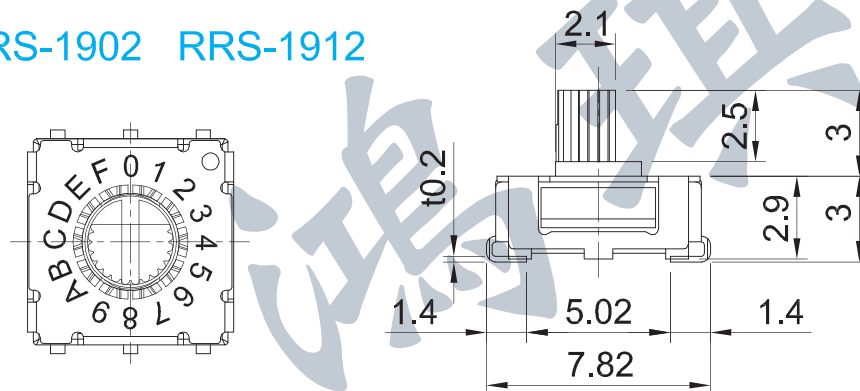
- Rating: DC50V 100mA
- Force: 200gf • cm Max.
- Life: 25,000 Cycles
- Package: 800 Pcs/Reel

RRS-1901 RRS-1911



Part No.	Code	Position
RRS-1901	Real Code	10
RRS-1902	Real Code	16
RRS-1911	Complementary Code	10
RRS-1912	Complementary Code	16

RRS-1902 RRS-1912



Pad Layout

