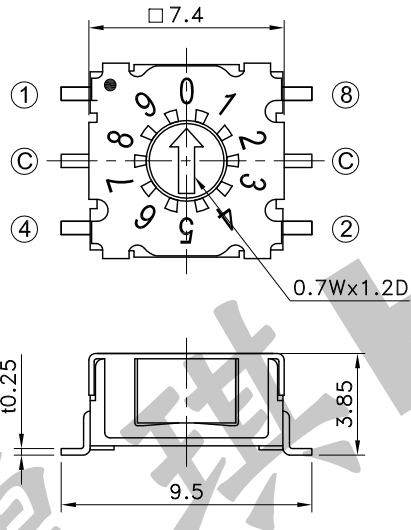
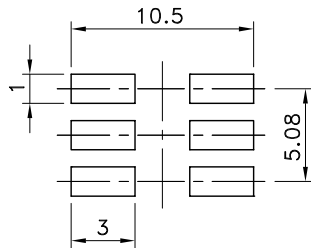


9	Terminal	Brass	Gold Plated	
8	Terminal Contact	Brass	Gold Plated	
7	Movable Contact	Copper Alloy	Gold Plated	
6	Spacer	Stainless Steel		
5	Step	Stainless Steel		
4	Seal	Silicone Rubber		White
3	Rotor	Thermoplastic		RRS-1801: Gray RRS-1811: White
2	Cover	Stainless Steel		
1	Base	Thermoplastic		Black
No.	Parts	Material	Finish	Remarks



P.C.B TERMINAL POSITION

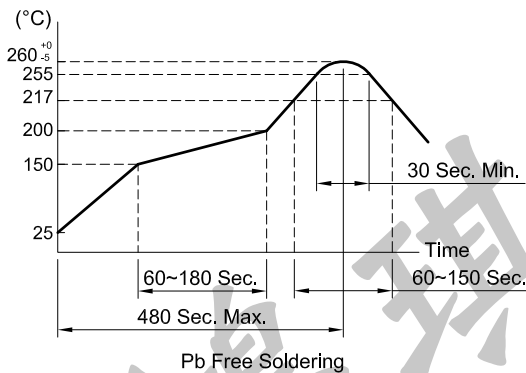


CODE FORMAT

No. of Positions	10 Positions										
	Position	0	1	2	3	4	5	6	7	8	9
RRS-1801 Real Code (Rotor: Gray)	8									●	●
	4					●	●	●	●		
	2		●	●				●	●		
RRS-1811 Complementary Code (Rotor: White)	1	●			●				●		●
	8	●	●	●	●	●	●	●	●	●	●
	4	●	●	●	●					●	●
	2	●	●			●	●			●	●
1	●		●		●		●		●	●	

● --- Contact Closed

SOLDERING CONDITIONS



SPECIFICATIONS

- Rating : DC 42V 400mA (Non-Switching)
DC 42V 100mA (Switching)
- Contact Resistance : 80mΩ Max.
- Insulation Resistance : 100MΩ Min. at DC 250V
- Dielectric strength : AC 250V for 1 Minute
- Operating Force : 120±30 gf · cm Max.
- Life : 25,000 Cycles
- Package : 1,300 Pcs/Reel
- Operating Temperature Range : -60~+125°C
- Storage Temperature Range : -60~+125°C
- Manual soldering : Tip Temperature 350 Max.
Soldering Time 3 Sec. Max.
- Waterproof : IP67

REVISION:		DATE:		REVISION:		DATE:	
UNIT:mm	THIRD ANGLE PROJECTION METHOD	TOL. UNLESS OTHERWISE STATED:±0.3		CODE NO.:HCH-2530			
ISSUED	CONFIRMED	HCH ISO9001 Certified ISO14001 Certified 鴻琪股份有限公司		PART NO.			
John	Elvis			RRS-1801 RRS-1811			
2023.08.16	2023.08.16						