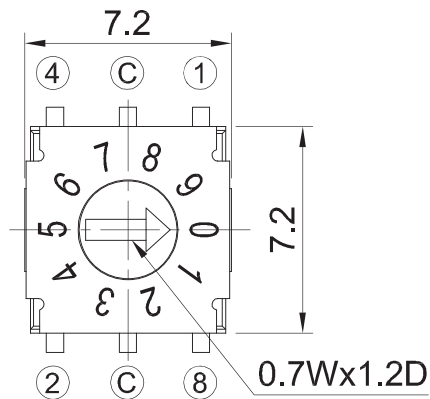


DIP SWITCHES

RRS-17

- Rating: DC50V 100mA
- Force: 200gf · cm Max.
- Life: 10,000 Cycles

RRS-1701 RRS-1711



Part No.	Code	Position
RRS-1701	Real Code	10
RRS-1702	Real Code	16
RRS-1711	Complementary Code	10
RRS-1712	Complementary Code	16

Mounting Hole Layout

RRS-1702 RRS-1712

