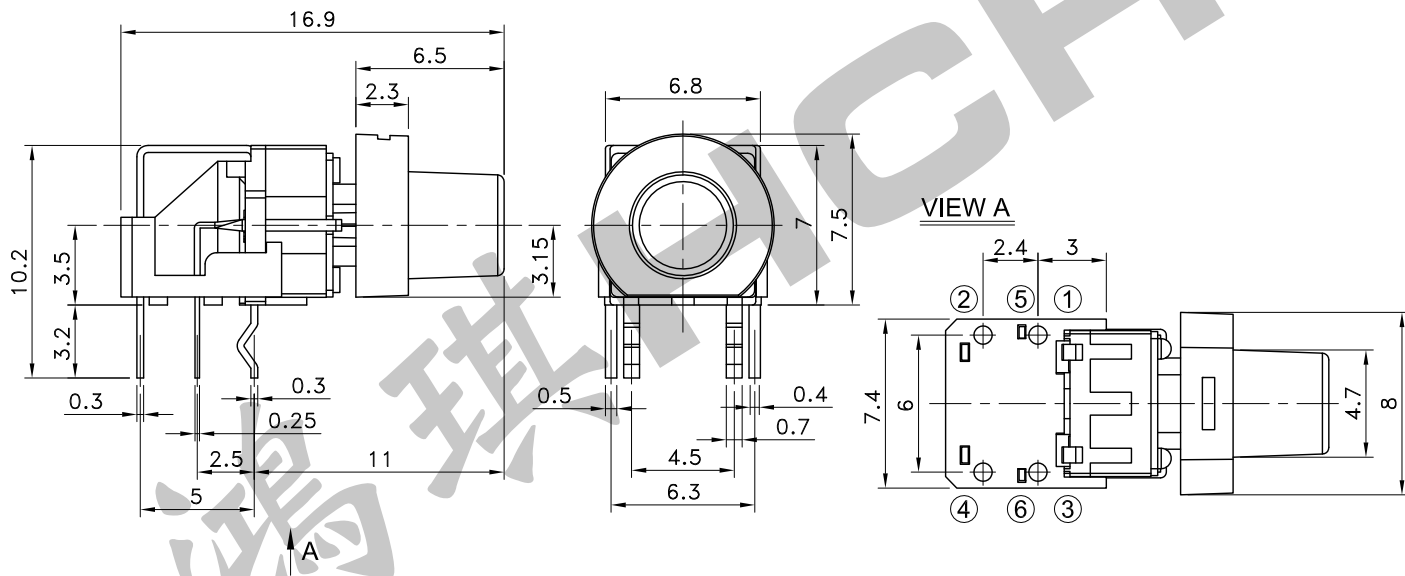
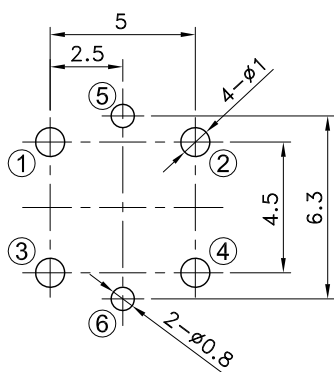


LED Specifications								
Color	Reverse Voltage	Forward Current Avg	Reverse Current Vr =5V	Pd (mW)	Forward Voltage Vf (at 20mA)		Luminous Intensity Iv (at 20mA)	
					Max.	Typ.	Min.	Typ.
Blue	DC 5V	20mA	100 $\mu$ A	76	3.8	3.2	550	—



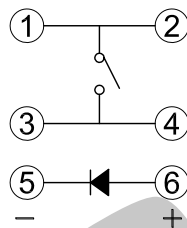
**P.C.B TERMINAL POSITION**



**SOLDERING CONDITIONS**

	Temperature (°C)	Time (Sec.)
Auto Soldering	255 Max.	5 Max.
Manual Soldering	350 Max.	3 Max.

**CIRCUIT ARRANGEMENT**



**SPECIFICATIONS**

- Rating : DC 12V 50mA
- Contact Resistance : 100m $\Omega$  Max.
- Insulation Resistance : 100M $\Omega$  Min. at DC 100V
- Dielectric Strength : AC 250V for 1 Minute
- Operating Force : 160 $\pm$ 50gf
- Stroke : 0.25<sup>+0.2</sup><sub>-0.1</sub> mm
- Life : 100,000 Cycles
- Operating Temperature Range : -20~+70°C
- Storage Temperature Range : -30~+80°C

REVISION:		DATE:		REVISION:		DATE:	
UNIT:mm	THIRD ANGLE PROJECTION METHOD	TOL. UNLESS OTHERWISE STATED:±0.3		CODE NO.: HCH-2543			
ISSUED	CONFIRMED	HCH <sup>®</sup> HORNG CHIH ISO9001 Certified ISO14001 Certified 鴻琪股份有限公司		PART NO. <b>PTS-315-L7-C</b>			
John	Elvis	2024.02.01		2024.02.01			