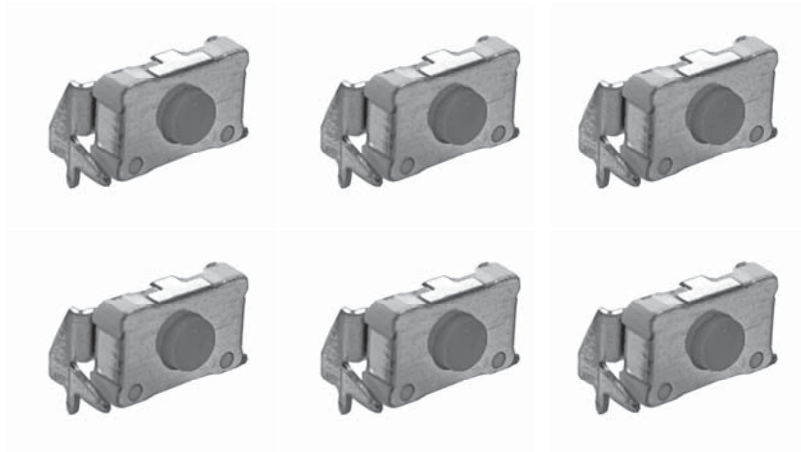


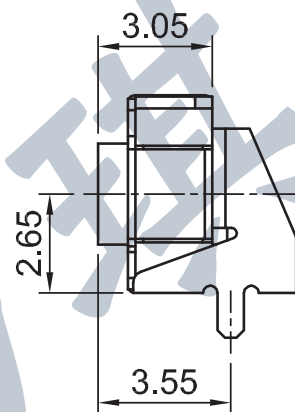
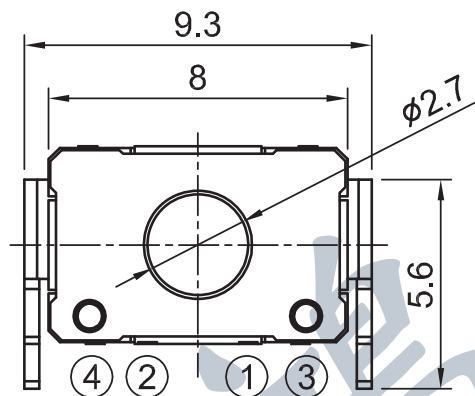
PUSH SWITCHES

PTS-312 WITH 2 LED

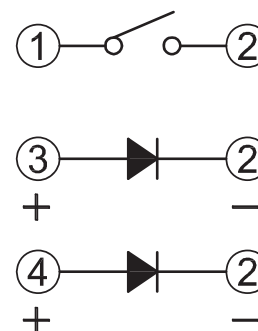


- Rating: DC12V 50mA
- Stroke: 0.5mm
- Force: 160±50gf
- Life: 100,000 Cycles
- Package: 700 Pcs/Reel

Part No.	LED Color
PTS-312-L52	Green+Red
PTS-312-L58	Green+Yellow
PTS-312-L72	Blue+Red
PTS-312-L75	Blue+Green
PTS-312-L79	Blue+Orange



Circuit



Pad Layout

