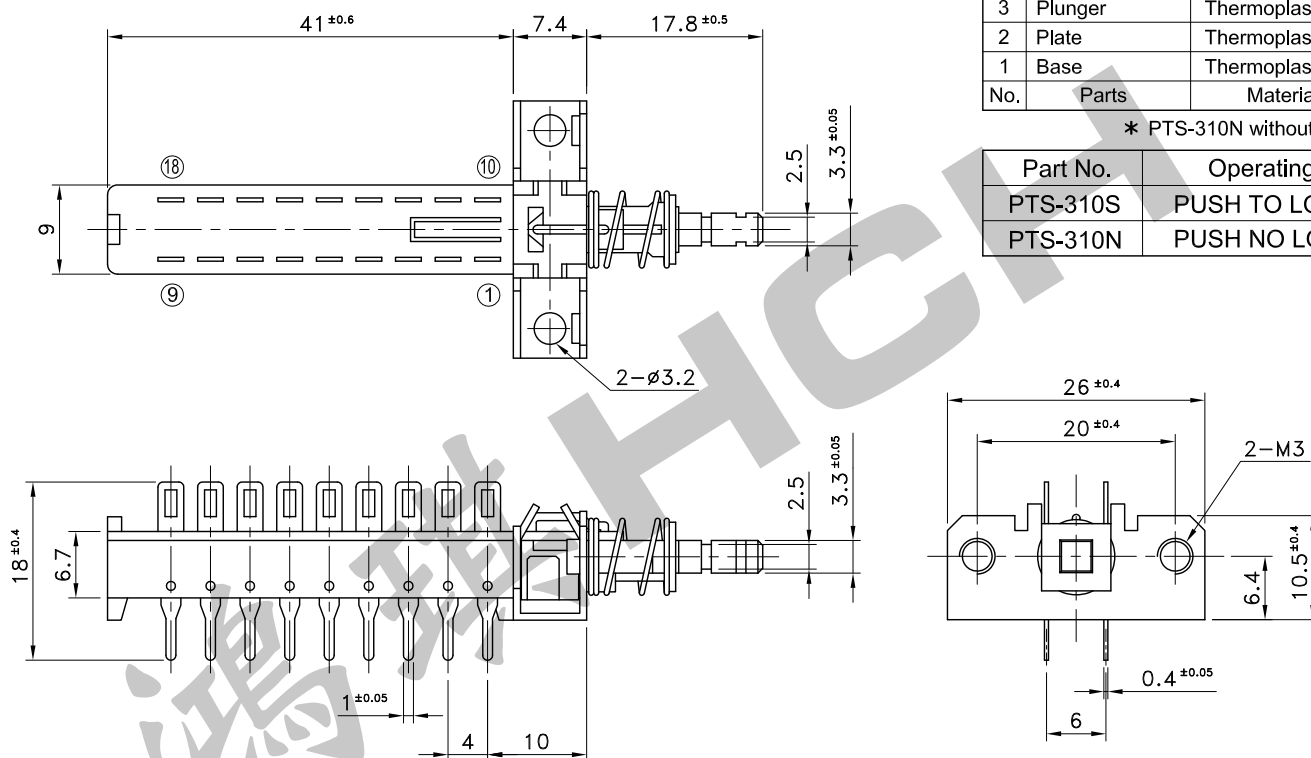


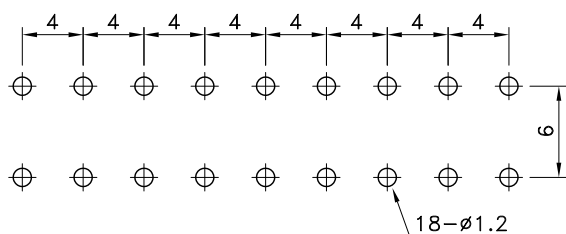
8	Contact Spring	Stainless Steel
7	Contact Plate	Brass Strip
6	Terminal	Brass Strip
5	Spring	Spring Steel
4	Lock	Carbon Steel
3	Plunger	Thermoplastic
2	Plate	Thermoplastic
1	Base	Thermoplastic
No.	Parts	Material

* PTS-310N without Parts 4

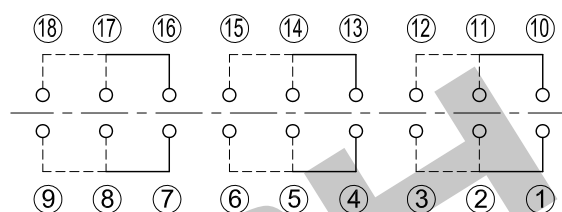
Part No.	Operating
PTS-310S	PUSH TO LOCK
PTS-310N	PUSH NO LOCK



P.C.B TERMINAL POSITION



CIRCUIT ARRANGEMENT



SOLDERING CONDITIONS

	Temperature (°C)	Time (Sec.)
Dip Soldering	260±5	5±1
Manual Soldering	350±10	3~4

SPECIFICATIONS

- Rating : DC 30V 100mA
DC 25V 1A
- Contact Resistance : 50mΩ Max.
- Insulation Resistance : 100MΩ Min.
- Dielectric Strength : AC 1,000V for 1 Minute
- Operating Force : 750±150gf
- Stroke : Full 4.8^{+0.5} Lock 3.5^{+0.3}_{-0.8} mm
- Life : 10,000 Cycles Min. (DC 30V 100mA)
5,000 Cycles Min. (DC 25V 1A)
- Operating Temperature Range : -10~+60°C

REVISION:	DATE:	REVISION:	DATE:
UNIT:mm	THIRD ANGLE PROJECTION METHOD	TOL. UNLESS OTHERWISE STATED:±0.3	CODE NO.: HCH-2463
ISSUED	CONFIRMED	PART NO.	
<i>John</i>	<i>Elvis</i>	PTS-310	
2021.12.29	2021.12.29	HCH ISO9001 Certified ISO14001 Certified HORNG CHIH 鴻琪股份有限公司	