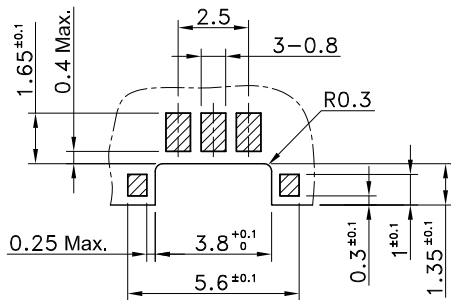
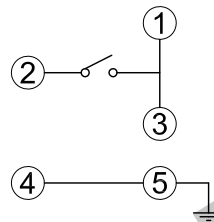


P.C.B TERMINAL POSITION

CIRCUIT ARRANGEMENT

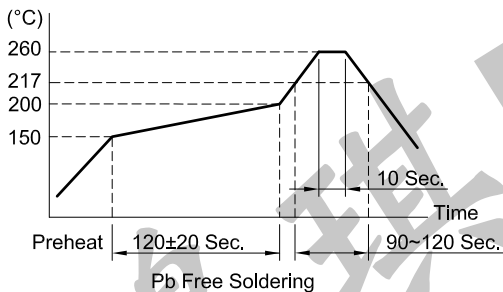


SOLDERING CONDITIONS



SPECIFICATIONS

- |                                |  |
|--------------------------------|--|
| 1. Rating                      | : DC 15V 20mA Max.                                 |
| 2. Contact Resistance          | : 100mΩ Max.                                       |
| 3. Insulation Resistance       | : 100MΩ Min. at DC 100V                            |
| 4. Dielectric Strength         | : AC 250V for 1 minute                             |
| 5. Operating Force             | : 160±50gf   |
| 6. Stroke                      | : 0.15±0.1mm                                       |
| 7. Life                        | : 200,000 Cycles                                   |
| 8. Package                     | : 2,500 Pcs/Reel                                   |
| 9. Operating Temperature Range | : -40~+85°C  |
| 10. Storage Temperature Range  | : -40~+85°C  |
| 11. Manual soldering           | : Tip Temperature 350±5°C<br>Soldering Time 3 Sec. |



REVISION:		DATE:		REVISION:		DATE:	
UNIT:mm		THIRD ANGLE PROJECTION METHOD		TOL. UNLESS OTHERWISE STATED:±0.3		CODE NO.:HCH-2457	
ISSUED		CONFIRMED		<b>HORNG CHIH</b> HCH® ISO9001 Certified ISO14001 Certified 鴻琪股份有限公司		PART NO.	
<i>John</i>		<i>Elvis</i>				<b>PTS-306</b>	
2022.01.06		2022.01.06					