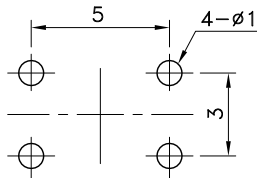


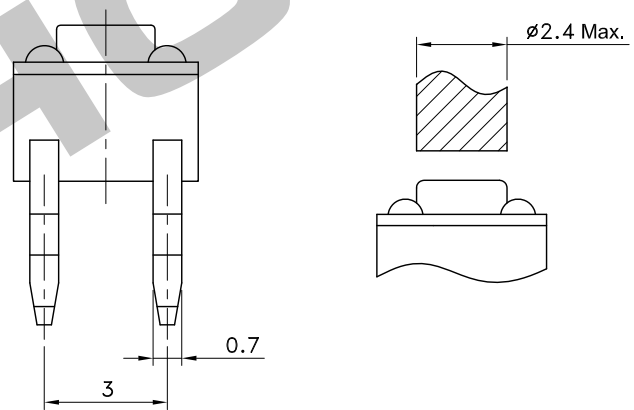
P.C.B TERMINAL POSITION



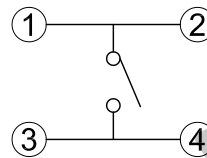
SOLDERING CONDITIONS

	Temperature (°C)	Time (Sec.)
Manual Soldering	350 Max.	3 Max.

SET MAREKR KNOB SIZE



CIRCUIT ARRANGEMENT



SPECIFICATIONS

1. Rating : DC 12V 50mA
2. Contact Resistance : 100mΩ Max.
3. Insulation Resistance : 100MΩ Min.at DC 100V
4. Dielectric Strength : AC 250V for 1 Minute
5. Operating Force : 160±50 gf
6. Stroke : 0.2±0.1mm
7. Life : 500,000 Cycles
8. Operating Temperature Range : -20~+70°C
9. Storage Temperature Range : -30~+80°C

REVISION:		DATE:		REVISION:		DATE:	
UNIT:mm		THIRD ANGLE PROJECTION METHOD		TOL. UNLESS OTHERWISE STATED:±0.2		CODE NO.:HCH-2394	
ISSUED		CONFIRMED		HCH ISO9001 Certified ISO14001 Certified HORNG CHIH 鴻琪股份有限公司		PART NO.	
<i>John</i> 20021.03.12		<i>Elvis</i> 20021.03.12				PTS-305	