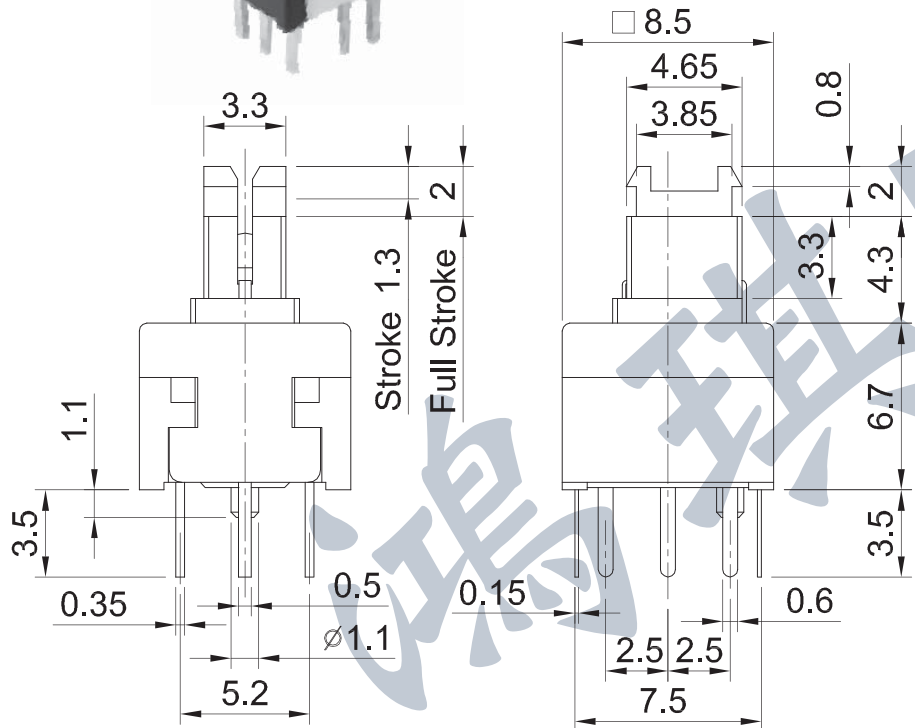
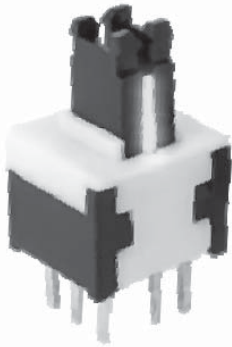


# PUSH SWITCHES

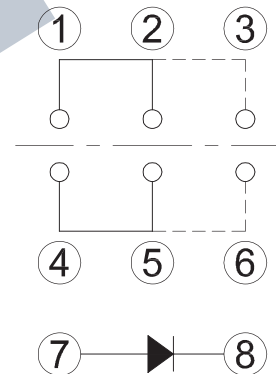
## PUSH TO LOCK WITH LED TYPE PTS-297S

- Rating: DC20V 200mA
- Stroke: Full 2 Lock 1.3mm
- Force: 250±100gf
- Life: 10,000 Cycles



| Part No.    | LED Color |
|-------------|-----------|
| PTS-297S-L2 | Red       |
| PTS-297S-L5 | Green     |
| PTS-297S-L7 | Blue      |

Circuit



Mounting Hole Layout

