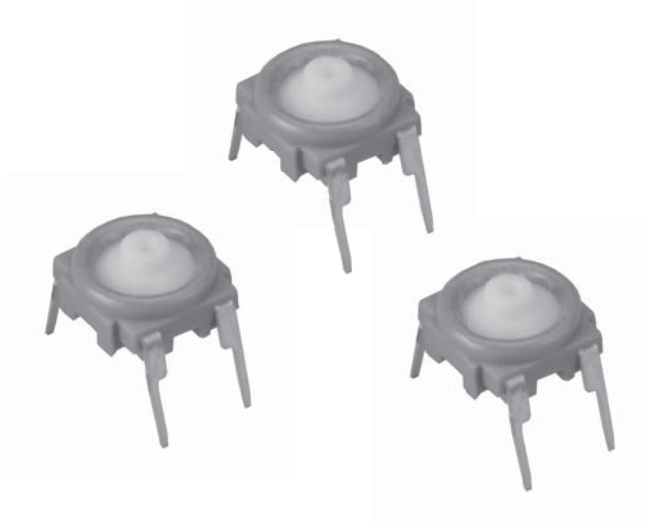


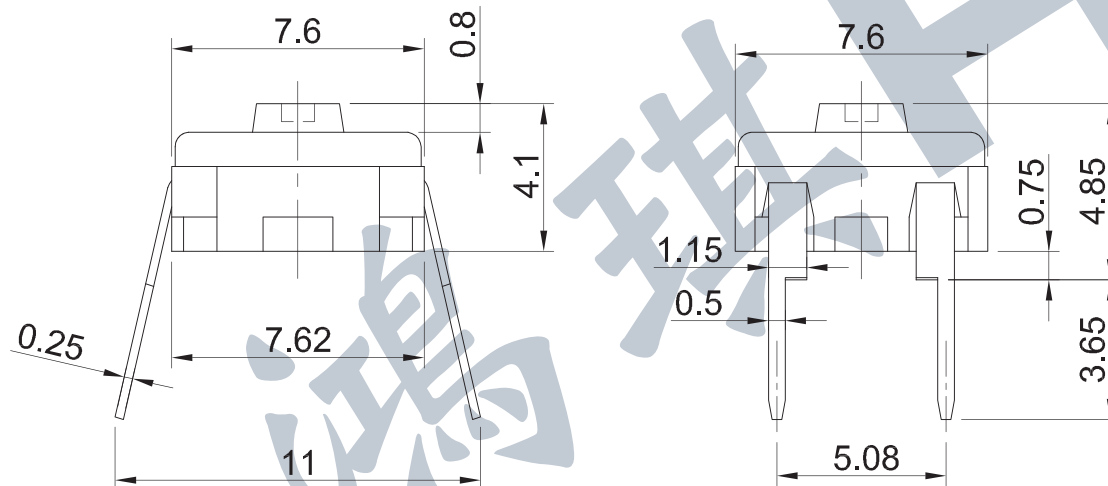
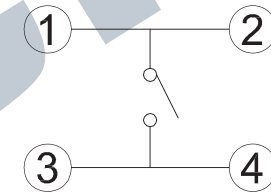
TACTILE PUSH SWITCHES

PTS-285 H=4.1mm

- Rating: DC24V 20mA
- Stroke: 0.75mm
- Force: 400±100gf
- Life: 1,000,000 Cycles



Circuit



Mounting Hole Layout

