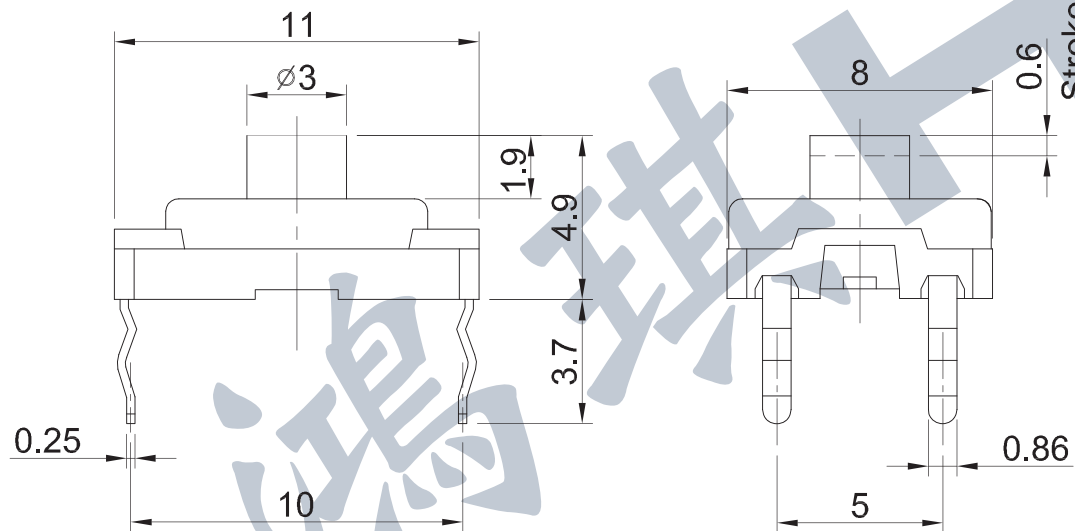
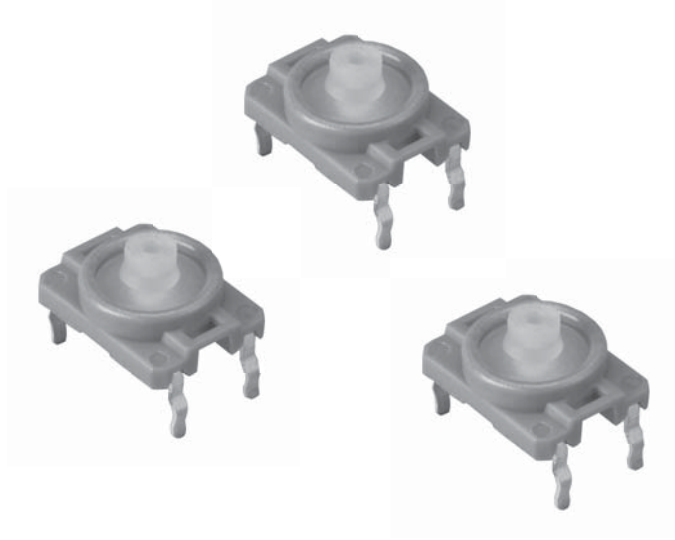


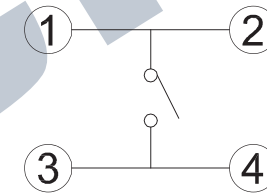
TACTILE PUSH SWITCHES

PTS-283 H=4.9mm

- Rating: AC/DC42V 100mA
- Stroke: 0.6mm
- Force: 350±60gf
- Life: 5,000,000 Cycles



Circuit



Mounting Hole Layout

