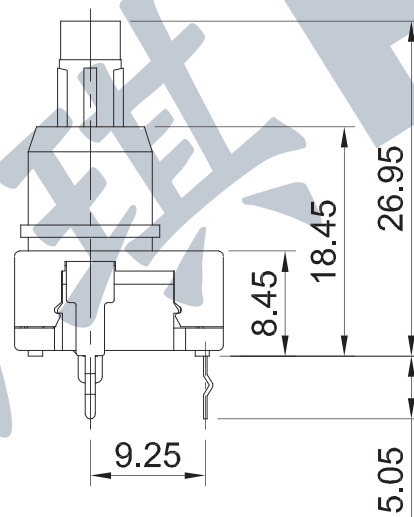
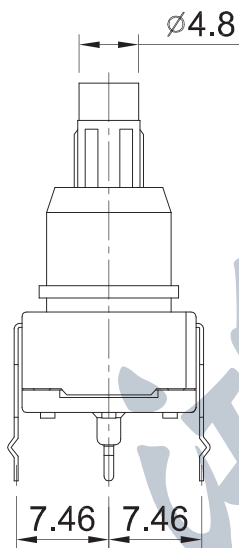
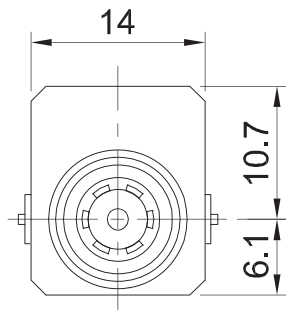


PUSH SWITCHES

CAR ELECTRONICS

PTS-278 SPDT ON-ON

- Rating: DC14V 1A
- Click Stroke: 3.6mm
- Full Stroke: 5mm
- Force: 450±50gf
- Life: 20,000 Cycles



Mounting Hole Layout

