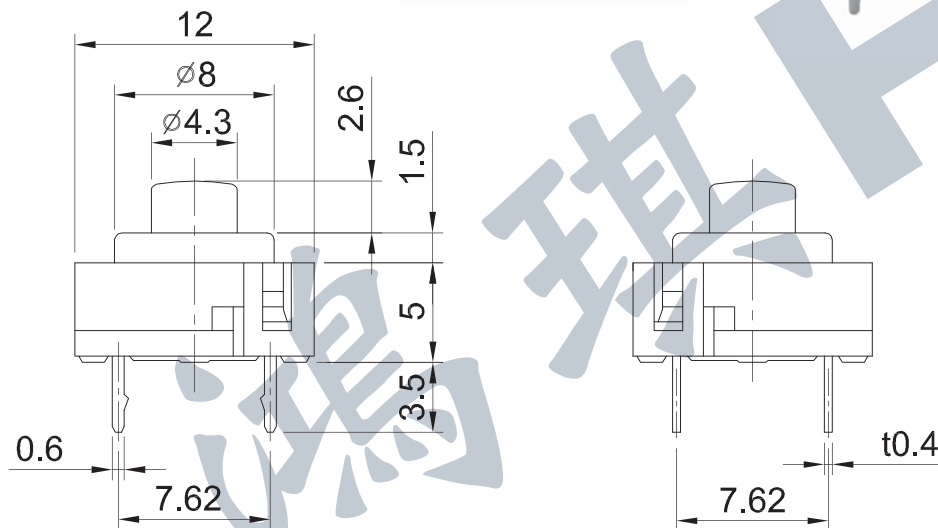
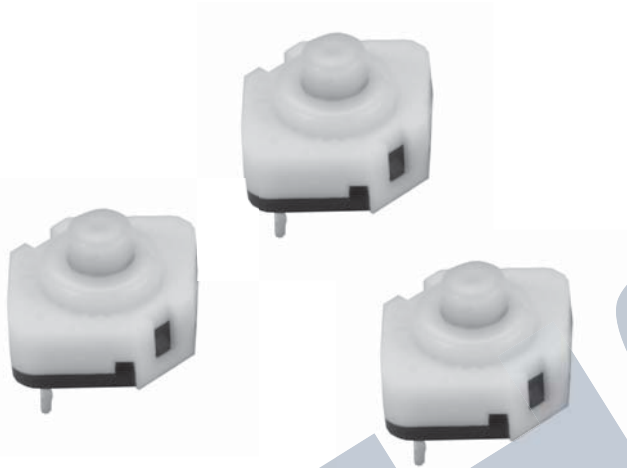
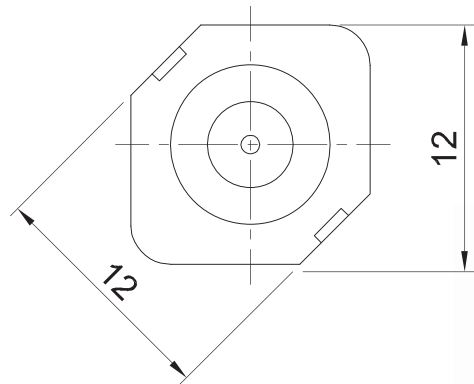


PUSH SWITCHES

PTS-277 SPST OFF-ON

- Rating: DC30V 0.5A
- Force: 280.5 ± 76.5 gf
- Life: 10,000 Cycles



Mounting Hole Layout

