

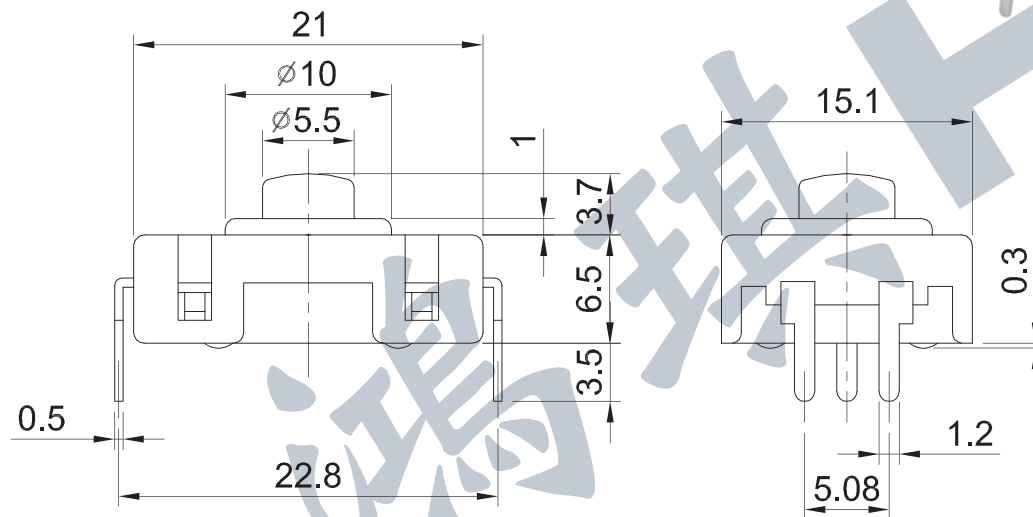
PUSH SWITCHES

SPDT

PTS-275 ON-ON

PTS-276 OFF-ON-ON

- Rating: AC125V 1A
DC30V 1A
- Force: 300 ± 100 gf
- Life: 10,000 Cycles



Mounting Hole Layout

