

# PUSH SWITCHES

SPST

PTS-273

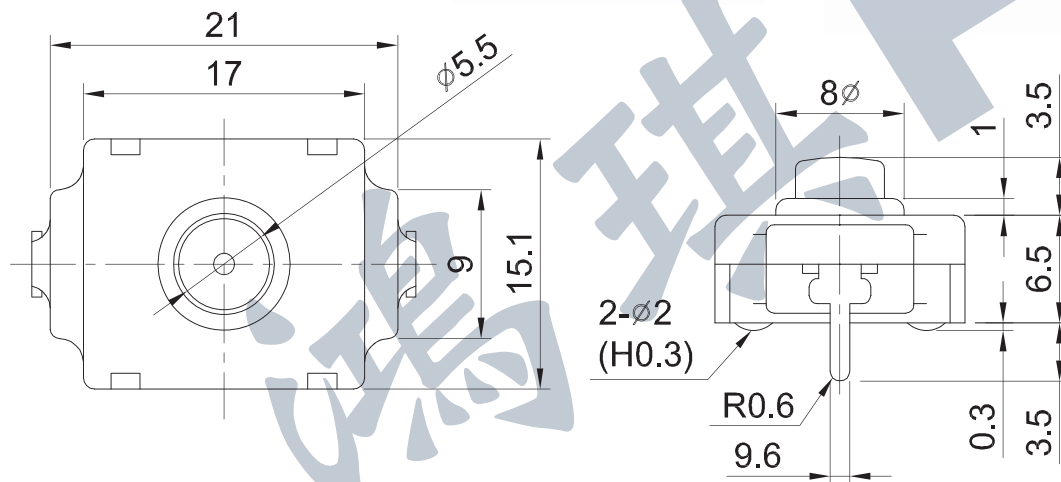
OFF-ON

PTS-274

OFF-(ON)

(ON)=Momentary

- Rating: AC125V 1A  
AC250V 0.2A  
DC30V 1A
- Force:  $300 \pm 100$ gf
- Life: 10,000 Cycles



Mounting Hole Layout

