

# ROCKER SWITCHES

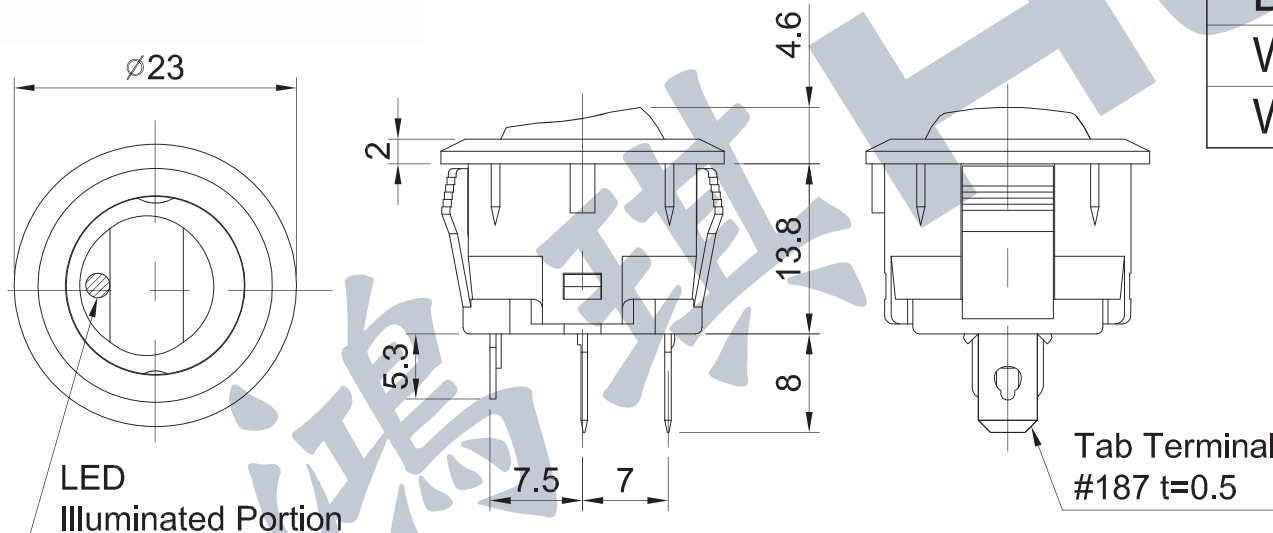
WITH 1 LED  
**PTS-272 SPST ON-OFF**



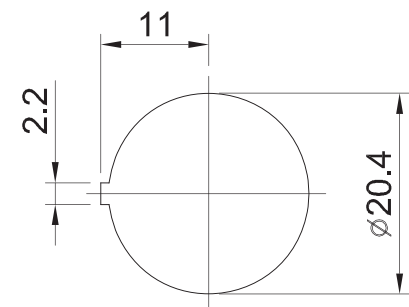
- Rating: AC125V 6A  
 AC250V 3A
- Force: 200~900gf
- Life: 10,000 Cycles

Part No.	LED Color
PTS-272-L2	Red
PTS-272-L5	Green

Body / Knob	Code
Black / Black	050
Black / White	052
White / Black	060
White / White	062



Panel Cut-Out Dim.



Panel Thickness: 0.5~2.0mm