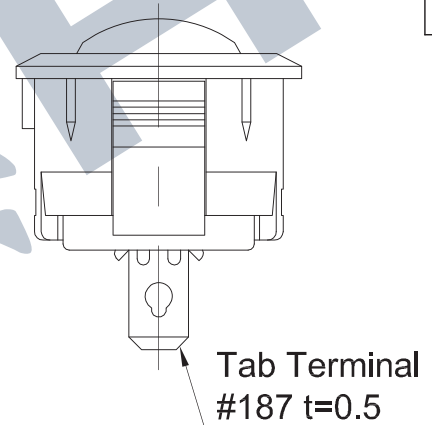
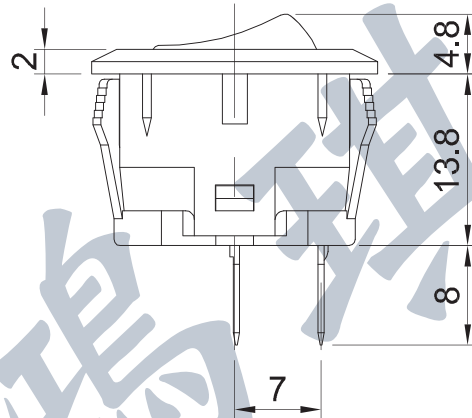
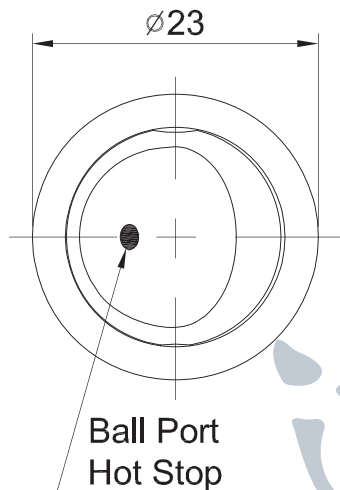


ROCKER SWITCHES

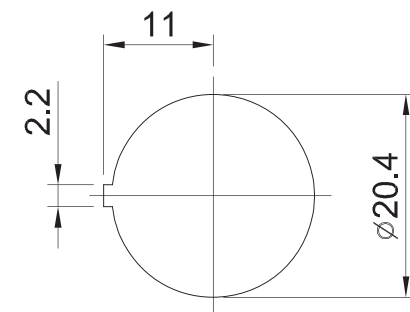
PTS-269 SPST ON-OFF



- Rating: AC125V 6A
AC250V 3A
- Force: 200~900gf
- Life: 10,000 Cycles

Body / Knob	Code
Black / Black	050
Black / Red	051
Black / White	052
White / Black	060
White / Red	061
White / White	062

Panel Cut-Out Dim.



Panel Thickness: 0.5~2.0mm