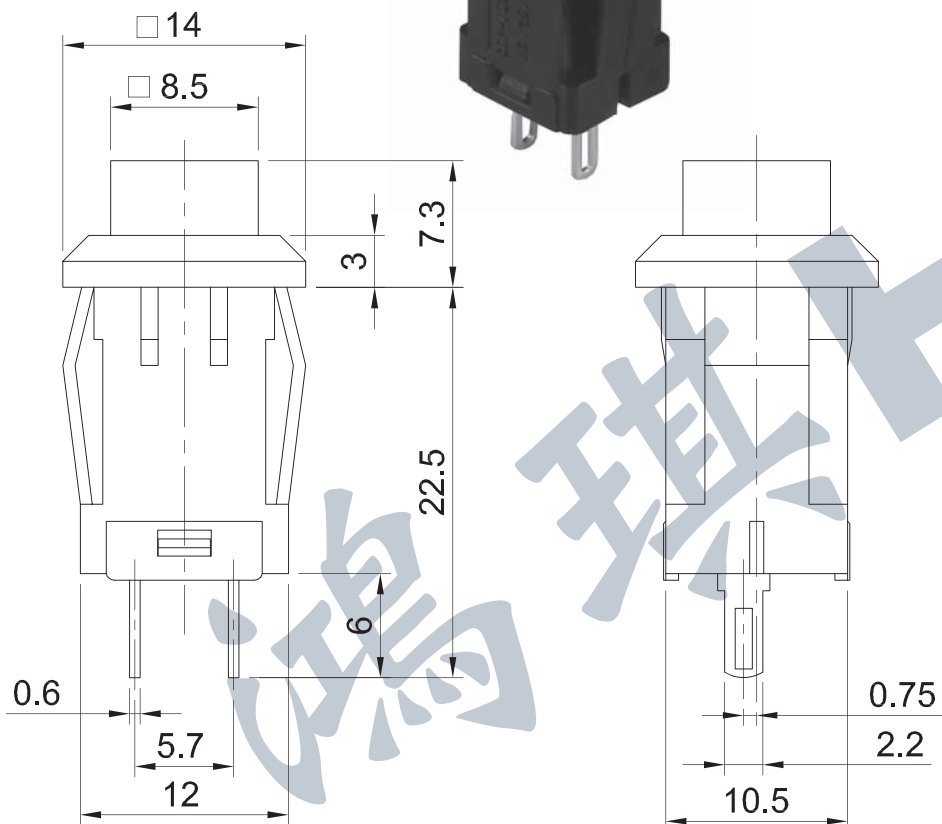
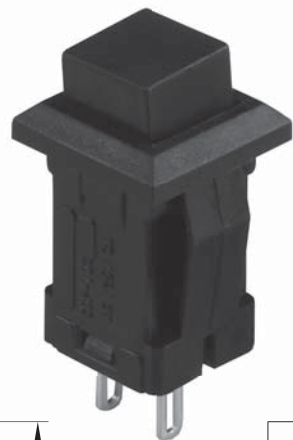


PUSH SWITCHES

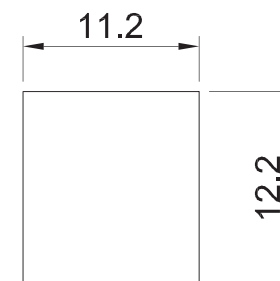
PTS-266 (ON)-OFF (ON)=Momentary



- Rating: AC125V 3A
AC250V 1.5A
- Force: 100~500gf
- Life: 10,000 Cycles

Body / Knob	Code
Black / Black	050
Black / Red	051
Black / White	052
White / Black	060
White / Red	061
White / White	062

Panel Mounting Hole



Panel Thickness: 1.2~3.0mm