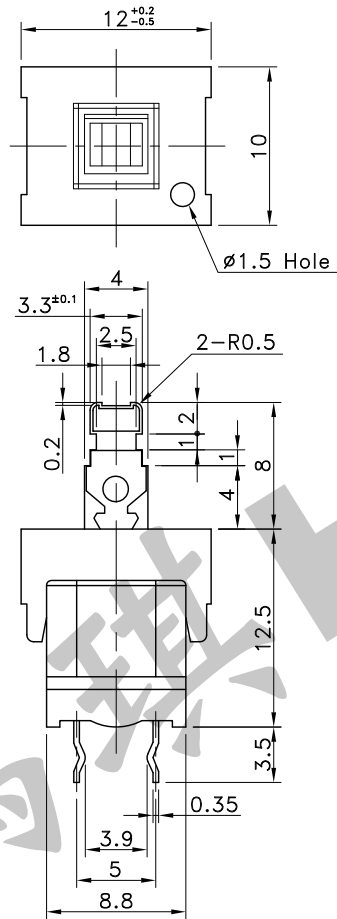
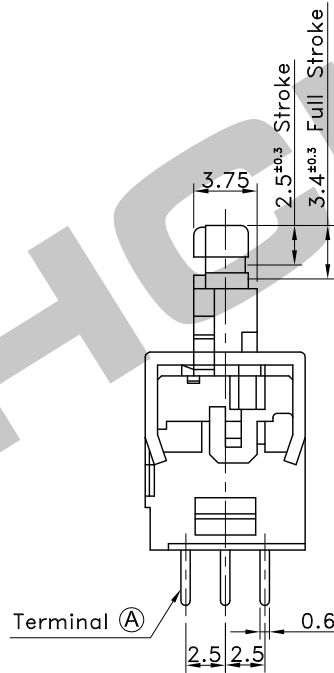


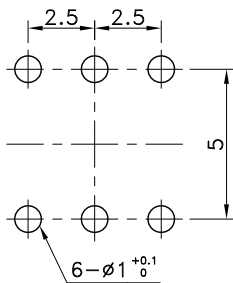
Tolerances Unless Otherwise Spec.	
L ≤ 10	±0.3
10 < L < 100	±0.5
100 ≤ L	±0.8



P.C.B TERMINAL POSITION



CIRCUIT ARRANGEMENT



SOLDERING CONDITIONS

	Temperature (°C)	Time (Sec.)
Auto Soldering	260±5	5±1
Manual Soldering	350±10	3±1

SPECIFICATIONS

1. Rating : DC 30V 100 mA
2. Contact Resistance : 30mΩ Max.
3. Insulation Resistance : 100MΩ Min. at DC 500V
4. Dielectric Strength : AC 500V for 1 Minute
5. Operating Force : 300±100gf
6. Stroke : Full stroke:3.4±0.3mm
Lock stroke:2.5±0.3mm
7. Life : 10,000 Cycles
8. Operating Temperature Range : -10~+60°C

REVISION:	DATE:	REVISION:	DATE:
UNIT:mm	THIRD ANGLE PROJECTION METHOD	TOL. UNLESS OTHERWISE STATED:	CODE NO.:HCH-1864-1
ISSUED	CONFIRMED	PART NO.	
<i>John</i>	<i>Elvis</i>	HORNG CHIH	
2017.02.09	2017.02.09	HCH [®] ISO9001 Certified ISO14001 Certified 鴻琪股份有限公司	
		PTS-249	