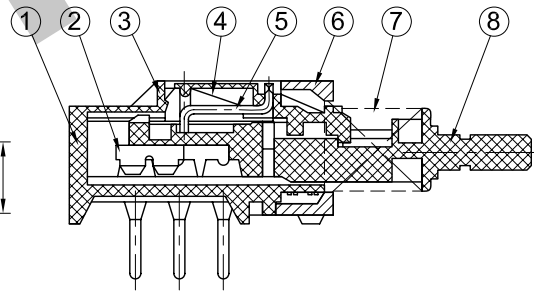
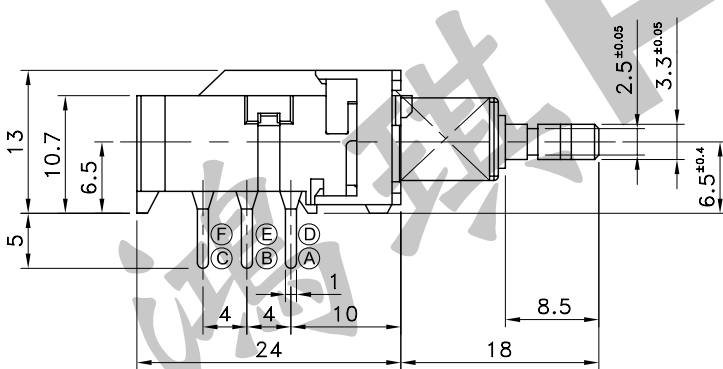
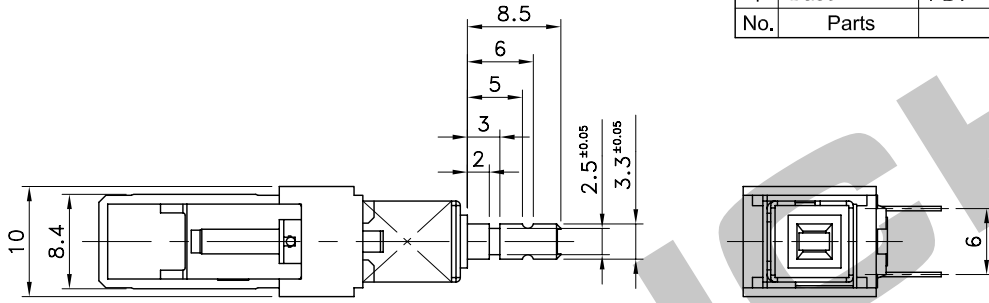


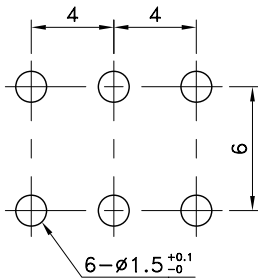
8	Plunger	POM	1	Blue
7	Spring	Spring Steel	1	
6	Fastener	POM	1	
5	Lock	Phosphor-Bronze	1	
4	Elastic Plate	Phosphor-Bronze	1	
3	Cover	POM	1	
2	Contact	Phosphor Bronze, Ag-Plated	2	
1	Base	PBT	1	
No.	Parts	Material	Q'ty	Remarks

* PTS-245N without ④, ⑤

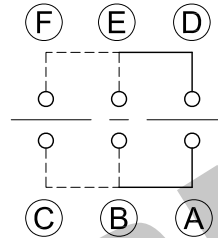
Push To Lock	Push No Lock
PTS-245S	PTS-245N



P.C.B TERMINAL POSITION



CIRCUIT ARRANGEMENT



SOLDER HEAT RESISTANCE

	Temperature (°C)	Time (Sec.)
Auto Soldering	230±5	3±0.5
Manual Soldering	350±10	3~4

SPECIFICATIONS

- Rating : DC 30V 100mA
DC 25V 1A
- Contact Resistance : 20mΩ Max.
- Insulation Resistance : 100MΩ Min. at DC 500V
- Dielectric Strength : AC 500V for 1 Minute
- Operating Force : 200±100gf
- Stroke : Full Stroke:3.5±0.5mm
Lock Stroke:2.5±0.5mm
- Electrical Life : 10,000 Cycles (DC 30V 100mA)
5,000 Cycles (DC 25V 1A)
- Mechanical Life : 30,000 Cycles
- Operating Temperature Range : -10~+60°C

REVISION:	DATE:	REVISION:	DATE:
-----------	-------	-----------	-------

UNIT:mm	THIRD ANGLE PROJECTION METHOD	TOL. UNLESS OTHERWISE STATED:±0.3	CODE NO.: HCH-927
---------	-------------------------------	-----------------------------------	-------------------

ISSUED	CONFIRMED		PART NO.
 2009.12.22	 2009.12.22		