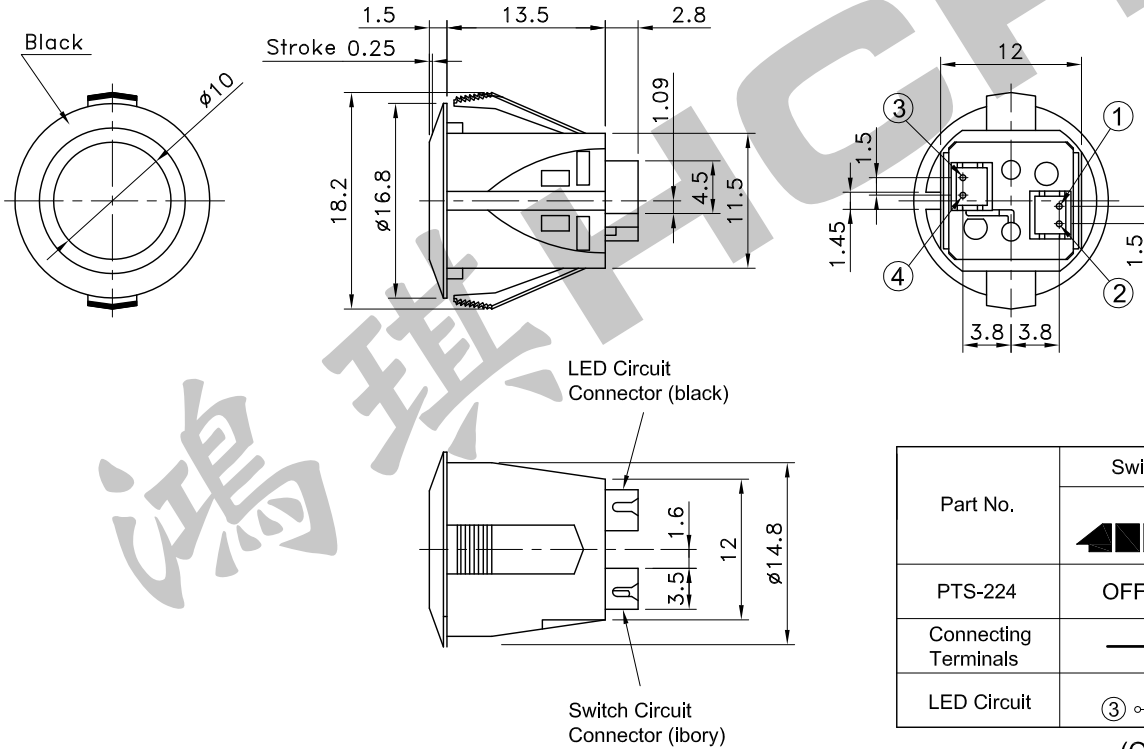


Part No.	LED SPECIFICATIONS				
	Color	Reverse Voltage (V _R)	Forward Current (I _F)	Forward Voltage (V _F)	
				Nominal	Max.
PTS-224-L2	Red	DC 5V	30mA	2.0V	2.5V
PTS-224-L5	Green	DC 5V	25mA	2.2V	2.5V
PTS-224-L8	Yellow	DC 5V	30mA	2.1V	2.5V

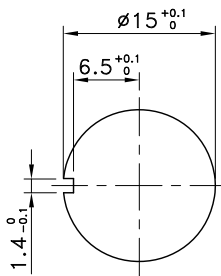
Part No.	LED • Knob Color
PTS-224-L2	Red
PTS-224-L5	Green
PTS-224-L8	Yellow



Part No.	Switching Function	
PTS-224	OFF	(ON)
Connecting Terminals	—	① — ②
LED Circuit		③ — ④

(ON) = Momentary

PANEL CUT-OUT



Panel Thickness: 1.5~2.5mm

SPECIFICATIONS

- Rating : DC 48V 50mA Max.
- Contact Resistance : 100mΩ Max.
- Insulation Resistance : 100MΩ Min. at DC 100V
- Dielectric Strength : AC 250V for 1 Minute
- Operating Force : 140±40gf
- Stroke : 0.25mm
- Life : 300,000 Cycles
- Operating Temperature Range : -25~+70°C
- Storage Temperature Range : -40~+70°C

REVISION:	DATE:	REVISION:	DATE:
UNIT:mm	THIRD ANGLE PROJECTION METHOD	TOL. UNLESS OTHERWISE STATED:±0.3	CODE NO.: HCH-2011
ISSUED	CONFIRMED	PART NO.	
<i>John</i>	<i>Elvis</i>	PTS-224	
2015.03.02	2015.03.02	HORNG CHIH 鴻琪股份有限公司	