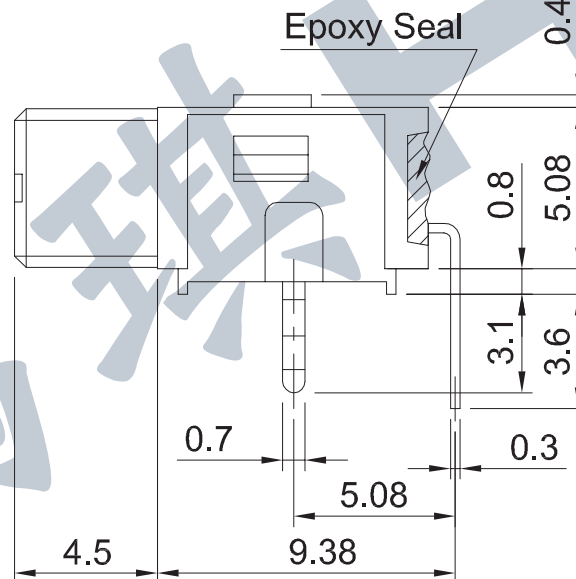
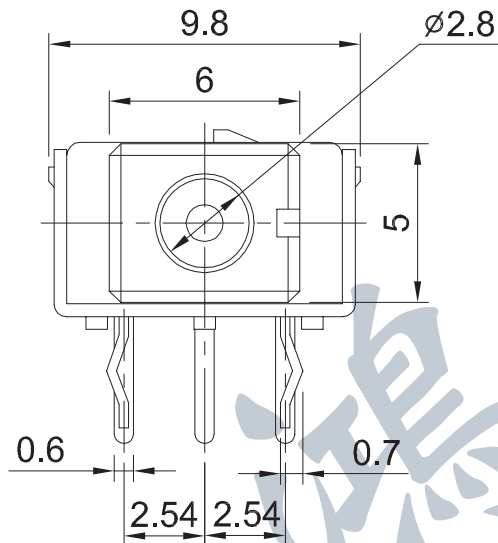
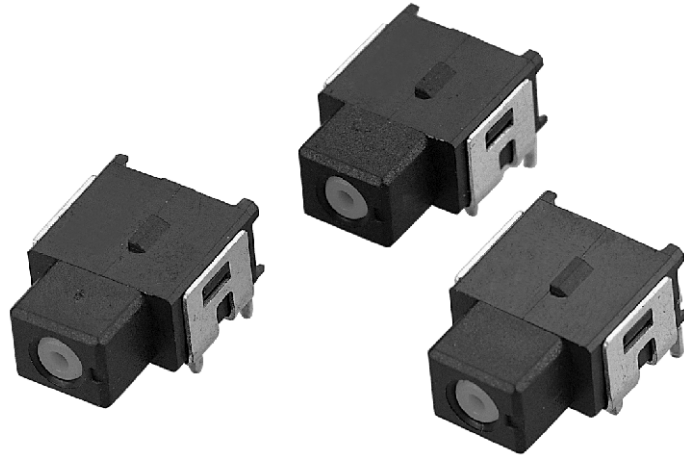


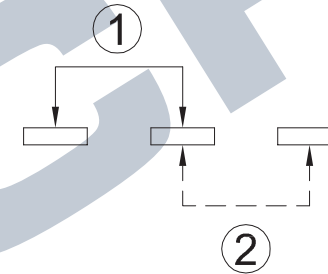
# PUSH SWITCHES

**PTS-215** ON-(ON)  
(ON)=Momentary

- Rating: AC/DC28V 0.4VA
- Stroke: 1.1mm
- Force: 250±100gf
- Life: 50,000 Cycles



Circuit



Mounting Hole Layout

