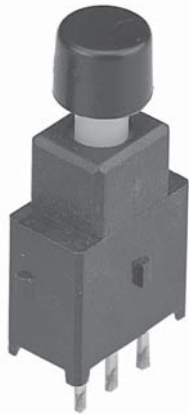


PUSH SWITCHES

PTS-211 SPDT ON-(ON)

PTS-220 SPST OFF-(ON)
(ON)=Momentary

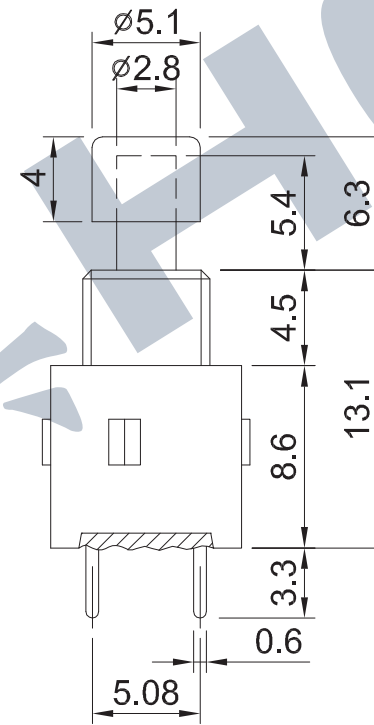
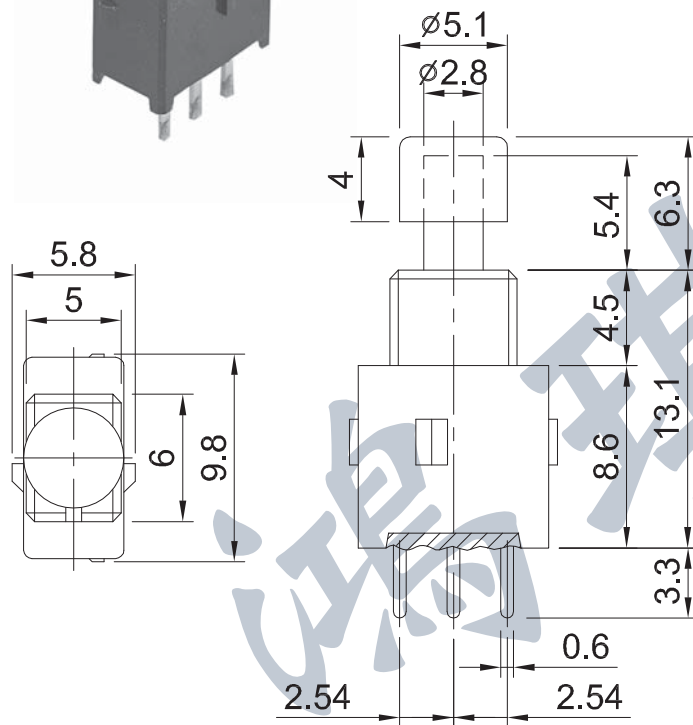
- Rating: AC/DC28V 0.4VA
- Stroke: 1.1mm
- Force: 250±100gf
- Life: 20,000 Cycles



PTS-211

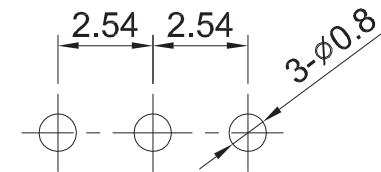
PTS-220

Knob	Code
Black	010
Red	011
White	012



Mounting Hole Layout

PTS-211



PTS-220

