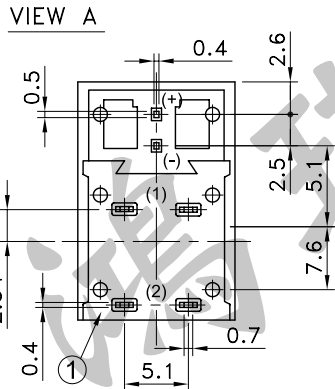
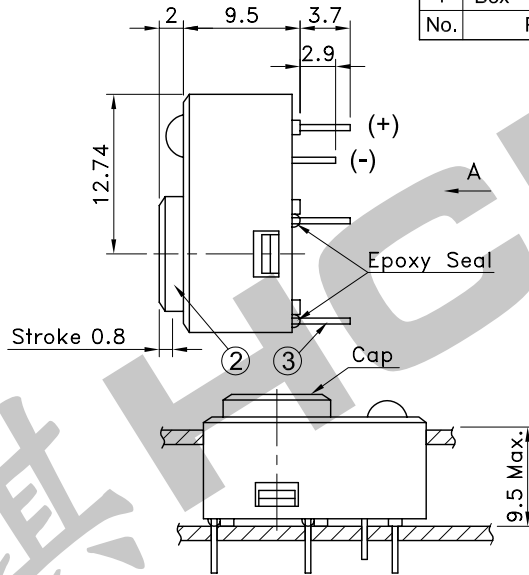
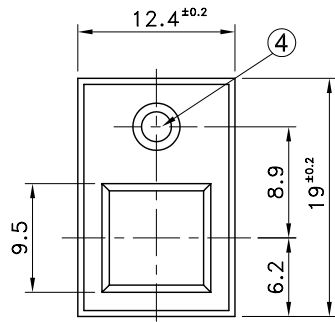


5	Movable Contact	Phosphor Bronze	Silver Clad
4	LED		
3	Terminals	Brass	Silver Plated
2	Cap	Polycarbonate	
1	Box	Nylon66 with Glass	
No.	Parts	Material	Finish

PTS-203-L2	Red
PTS-203-L5	Green
PTS-203-L8	Yellow

Knob	Code
Black	010
Red	011
White	012
Gray	013
Green	014
Blue	015
Yellow	016
Orange	018
Clear	020

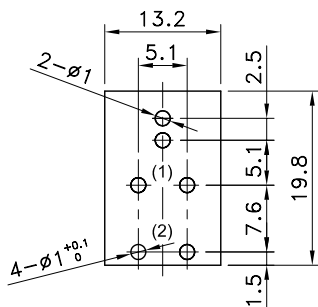


LED Portion (Ta=25°C Max.)

Lens	Reverse Voltage V _R	Forward Current I _F	Forward Voltage (I _F =20mA)	
			Nominal	Max.
Red Diffuse	DC 4V	20mA	2.1V	2.8V
Green Diffuse	DC 4V	25mA	2.1V	2.8V
Yellow Diffuse	DC 4V	25mA	2.2V	2.8V

P.C.B TERMINAL POSITION

CIRCUIT ARRANGEMENT



Part No.	Switching Function	
PTS-203	OFF	(ON)
Connecting Terminals	—	1 - 2
LED Circuit	(+)	(-)

(ON) = Momentary

SOLDERING CONDITIONS

SPECIFICATIONS

	Temperature (°C)	Time (Sec.)
Auto Soldering	245±10	3 Max.
Manual Soldering	270 Max.	3 Max.

- Rating (Max.) : DC 24V 50mA
(Min.) : DC 20V 1mA (Silver Plated Contacts)
- Contact Resistance : 20mΩ Max. at AC 200μV 1.5mA
- Insulation Resistance : 100MΩ Min. at DC 250V
- Dielectric Strength : AC 250V for 1 Minute
- Operating Force : 95±30gf
- Stroke : 0.8±0.3mm
- Life : 200,000 Cycles
- Plastic Pack : 100 Pcs/Pack
- Operating Temperature Range : -25~+75°C
- Storage Temperature Range : -25~+85°C

REVISION:	DATE:	REVISION:	DATE:
UNIT:mm	THIRD ANGLE PROJECTION METHOD	TOL. UNLESS OTHERWISE STATED:±0.3	CODE NO.:HCH-1057
ISSUED	CONFIRMED	PART NO.	
John	Joey	PTS-203	
2006.04.07	2006.04.07	HORNG CHIH 鴻琪股份有限公司	