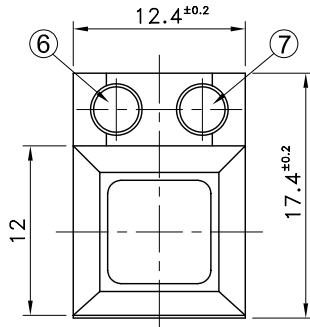


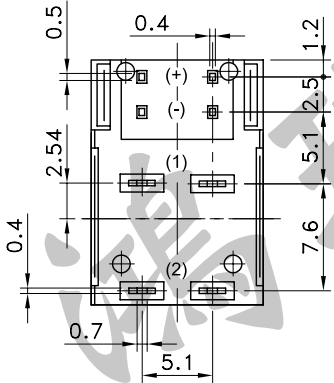
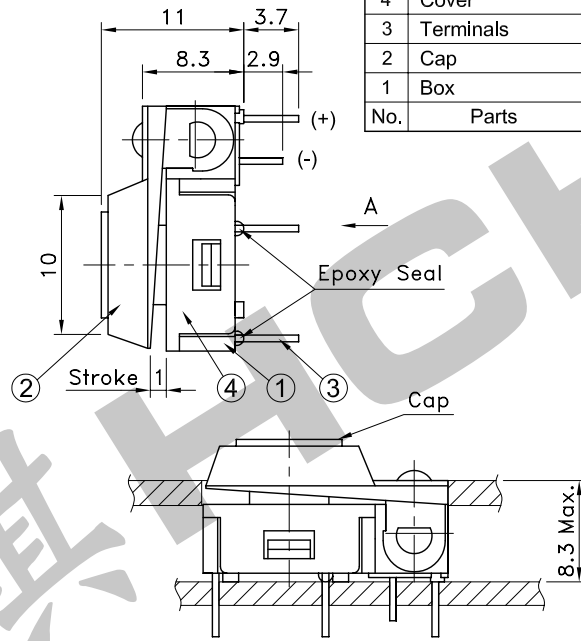
7	LED		
6	LED		
5	Movable Contact	Phosphor Bronze	Silver Clad
4	Cover	Nylon66	
3	Terminals	Brass	Silver Plated
2	Cap	Polycarbonate	
1	Box	Nylon66 with Glass(20%)	
No.	Parts	Material	Finish

PTS-202-L22	Red&Red
PTS-202-L25	Red&Green

Knob	Code
Black	010
Red	011
White	012
Gray	013
Green	014
Blue	015
Yellow	016
Orange	018
Clear	020



VIEW A

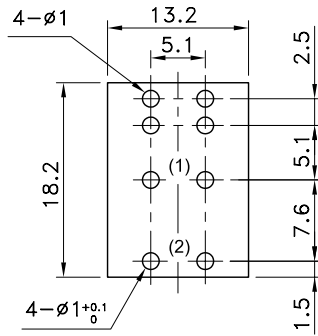


P.C.B TERMINAL POSITION

LED Portion (Ta=25°C Max.)

Lens	Reverse Voltage V _R	Forward Current I _F	Forward Voltage (I _F =20mA)	
			Nominal	Max.
Red Diffuse	DC 4V	20mA	2.1V	2.8V
Green Diffuse	DC 4V	25mA	2.1V	2.8V

CIRCUIT ARRANGEMENT



SOLDERING CONDITIONS

Part No.	Switching Function	
PTS-202	OFF	(ON)
Connecting Terminals	—	1 - 2
LED Circuit		

(ON) = Momentary

SPECIFICATIONS

- Rating (Max.) : DC 24V 50mA
(Min.) : DC 20V 1mA (Silver Plated Contacts)
- Contact Resistance : 20mΩ Max. at AC 200μV 1.5mA
- Insulation Resistance : 100MΩ Min. at DC 250V
- Dielectric Strength : AC 250V for 1 Minute
- Operating Force : 95±30gf
- Stroke : 1±0.3mm
- Life : 200,000 Cycles
- Plastic Pack : 100 Pcs/Pack
- Operating Temperature Range : -25~+75°C
- Storage Temperature Range : -25~+85°C

	Temperature (°C)	Time (Sec.)
Auto Soldering	245±10	3 Max.
Manual Soldering	270 Max.	3 Max.

REVISION:	DATE:	REVISION:	DATE:
UNIT:mm	THIRD ANGLE PROJECTION METHOD	TOL. UNLESS OTHERWISE STATED:±0.3	CODE NO.:HCH-1051
ISSUED	CONFIRMED	PART NO.	
John	Joey	PTS-202	
2006.04.06	2006.04.06	HORNG CHIH 鴻琪股份有限公司	