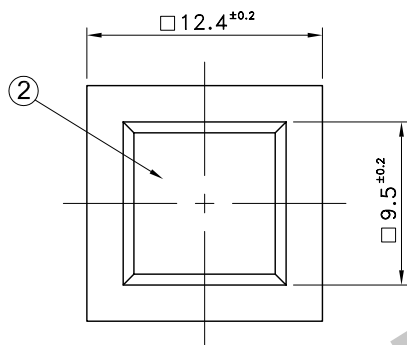
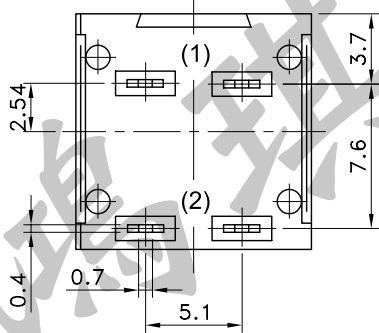


	Movable Contact	Silver Plated on Phosphor Bronze
3	Terminals	Silver Plated on Brass
2	Button	Polycarbonate (see note)
1	Housing	Nylon , Black
No.	Parts	Material

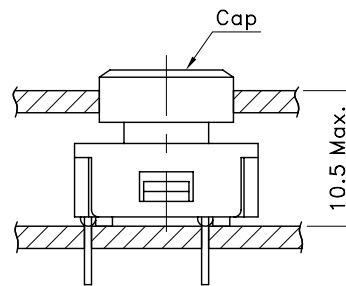
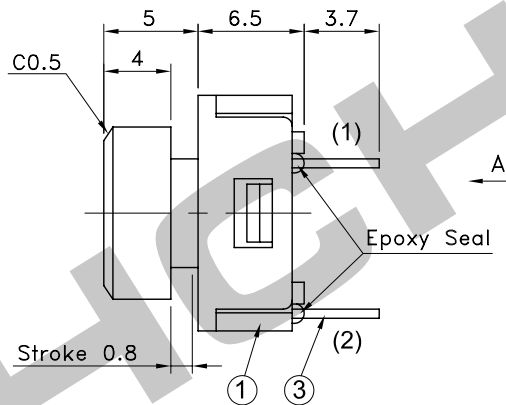
Knob	Code
Black	010
Red	011
White	012
Gray	013
Green	014
Blue	015
Yellow	016
Orange	018
Clear	020



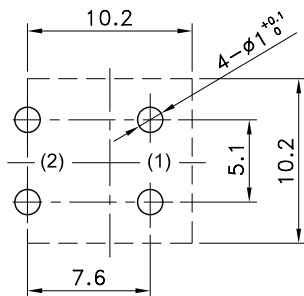
VIEW A



P.C.B TERMINAL POSITION



CIRCUIT ARRANGEMENT



SOLDERING CONDITIONS

	Temperature (°C)	Time (Sec.)
Auto Soldering	245±10	3 Max.
Manual Soldering	270 Max.	3 Max.

Part No.	Switching Function	
PTS-200	OFF	(ON)
Connecting Terminals	—	1 - 2

(ON) = Momentary

SPECIFICATIONS

- Rating (Max.) : DC 24V 50mA
(Min.) : DC 20V 1mA (Silver Plated Contacts)
- Contact Resistance : 20mΩ Max. at AC 200μV 1.5mA
- Insulation Resistance : 100MΩ Min. at DC 250V
- Dielectric Strength : AC 250V for 1 Minute
- Operating Force : 95±30gf
- Stroke : 0.8±0.3mm
- Life : 200,000 Cycles
- Plastic Pack : 100 Pcs/Pack
- Operating Temperature Range : -25~+75°C
- Storage Temperature Range : -25~+85°C

REVISION:	DATE:	REVISION:	DATE:
UNIT:mm	THIRD ANGLE PROJECTION METHOD	TOL. UNLESS OTHERWISE STATED:±0.3	CODE NO.:HCH-1049
ISSUED	CONFIRMED	PART NO.	
<i>John</i>	<i>Joey</i>	PTS-200	
2006.03.28	2006.03.28	HORNG CHIH 鴻琪股份有限公司	