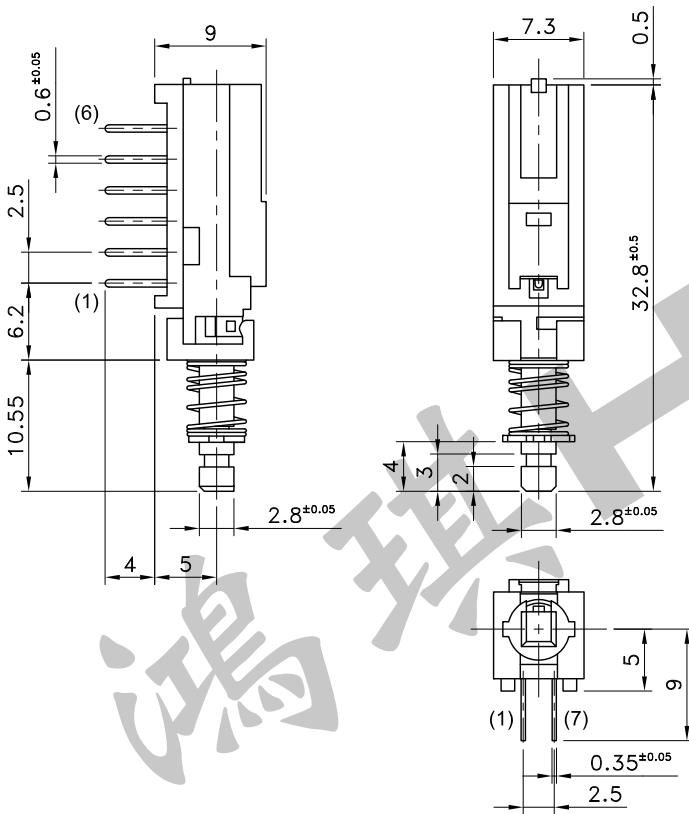
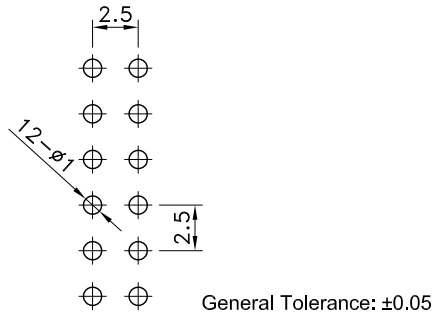


10	Lock	Phosphor Bronze		
9	Elastic Plate	Phosphor Bronze		
8	Contact	Phosphor Bronze	Ag Plated	
7	Plunger	Thermoplastics		UL94HB
6	Block	Iron Sheet		
5	Spring	Spring Steel		
4	Fastener	Thermoplastics		UL94V-0
3	Base	Thermoplastics		UL94V-0
2	Cover	Thermoplastics		UL94V-0
1	Pin Module	Brass		
No.	Parts	Material	Finsh	Remarks

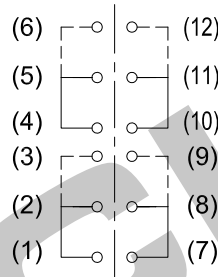
Part No.	Operating
PTS-181S	PUSH TO LOCK
PTS-181N	PUSH NO LOCK



P.C.B TERMINAL POSITION



CIRCUIT ARRANGEMENT




SOLDERING CONDITIONS

	Temperature (°C)	Time (Sec.)
Auto Soldering	260±5	5±1
Manual Soldering	350±5	2~3

SPECIFICATIONS

- Rating : DC 30V 100 mA
- Contact Resistance : 50mΩ Max.
- Insulation Resistance : 100MΩ Min. at DC 500V
- Dielectric Strength : AC 500V for 1 Minute
- Operating Force : 280±100gf
- Stroke : Full 3±0.3 Lock 2±0.3mm
- Life : 10,000 Cycles
- Operating Temperature Range : -10~+60°C

REVISION:	DATE:	REVISION:	DATE:
UNIT:mm	THIRD ANGLE PROJECTION METHOD	TOL. UNLESS OTHERWISE STATED:±0.3	CODE NO.:HCH-970-3
ISSUED	CONFIRMED	PART NO.	
<i>John</i>	<i>Elvis</i>	PTS-181	
2014.08.27	2014.08.27	 <b>HORNG CHIH</b> 鴻琪股份有限公司	