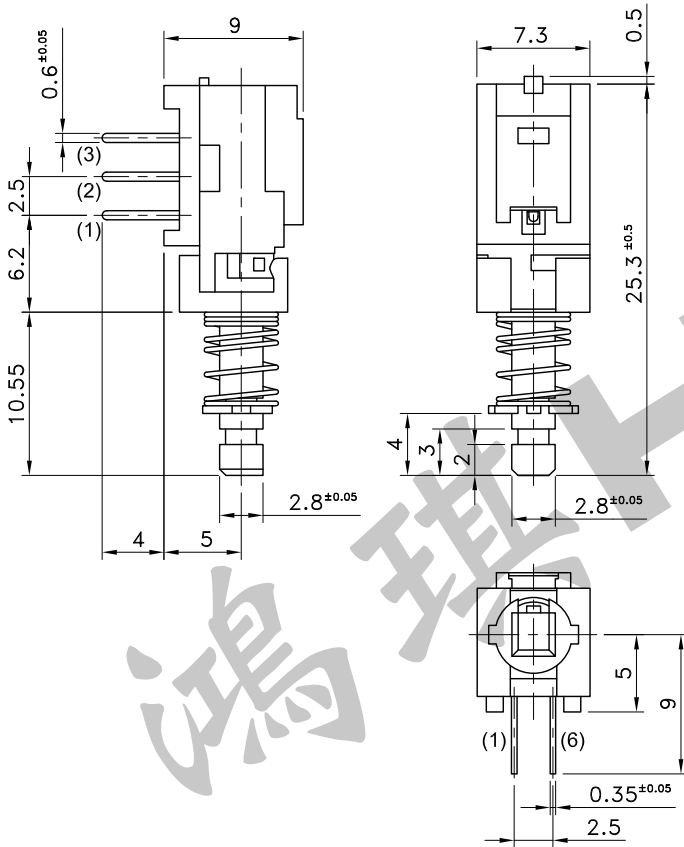
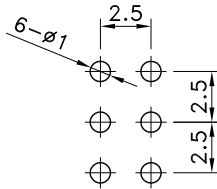


10	Lock	Phosphor Bronze		
9	Elastic Plate	Phosphor Bronze		
8	Contact	Phosphor Bronze	Ag Plated	
7	Plunger	Thermoplastics		UL94HB
6	Block	Iron Sheet		
5	Spring	Spring Steel		
4	Fastener	Thermoplastics		UL94V-0
3	Base	Thermoplastics		UL94V-0
2	Cover	Thermoplastics		UL94V-0
1	Pin Module	Brass		
No.	Parts	Material	Finsh	Remarks

Part No.	Operating
PTS-180S	PUSH TO LOCK
PTS-180N	PUSH NO LOCK



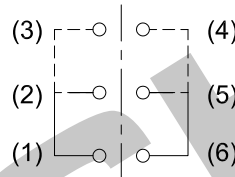
P.C.B TERMINAL POSITION



SOLDERING CONDITIONS

	Temperature (°C)	Time (Sec.)
Dip Soldering	260±5	5±1
Manual Soldering	350±10	3~4

CIRCUIT ARRANGEMENT



SPECIFICATIONS

1. Rating : DC 30V 100 mA
2. Contact Resistance : 50mΩ Max.
3. Insulation Resistance : 100MΩ Min. at DC 500V
4. Dielectric Strength : AC 500V for 1 Minute
5. Operating Force : 240±100gf
6. Stroke : Full 3±0.3 Lock 2±0.3mm
7. Life : 10,000 Cycles
8. Operating Temperature Range : -10~+60°C

REVISION:	DATE:	REVISION:	DATE:
UNIT:mm	THIRD ANGLE PROJECTION METHOD	TOL. UNLESS OTHERWISE STATED:±0.3	CODE NO.:HCH-407-2
ISSUED	CONFIRMED	PART NO.	
John	Elvis	HCH HORNG CHIH	
2014.08.27	2014.08.27	鴻琪股份有限公司	
		PTS-180	