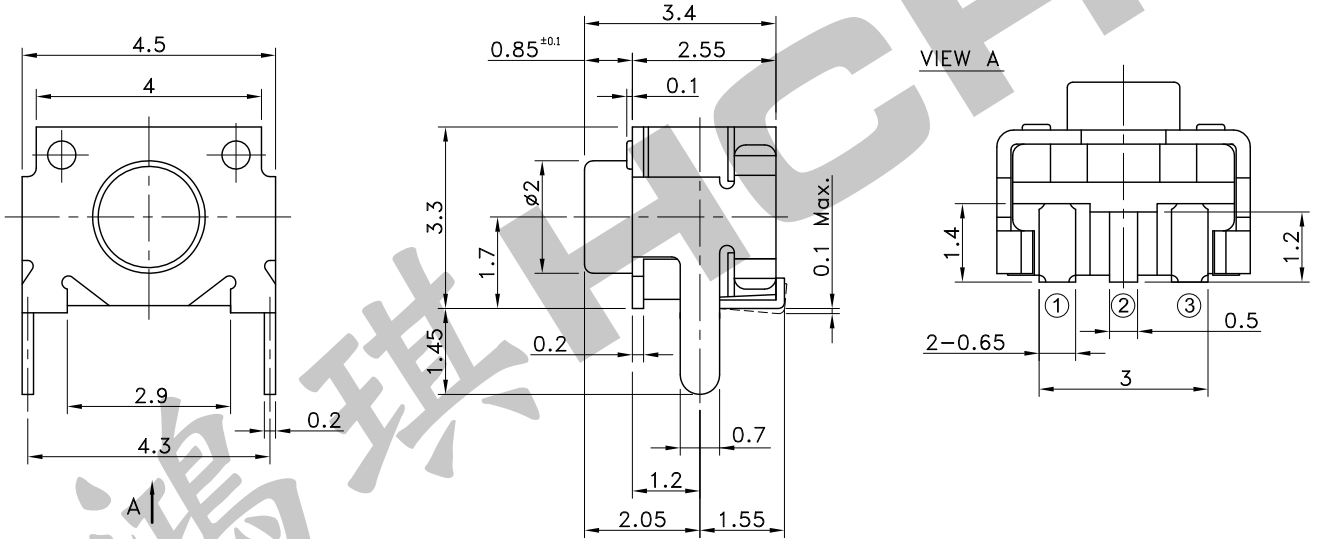
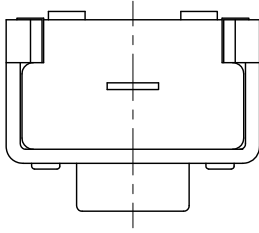
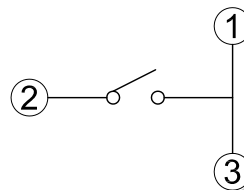
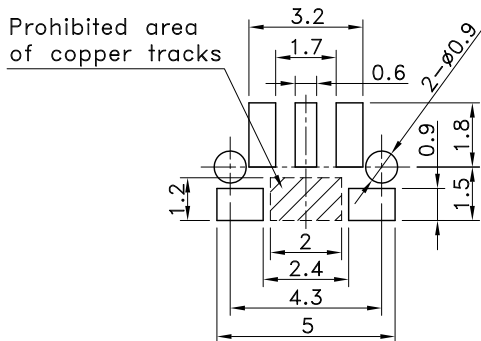


5	Contact	Stainless Steel	Ag Clad	
4	Terminal	Brass	Ag Plating	
3	Stem	PPA		Ivory, UL 94HB
2	Bracket	SPTe	Tin Plating	
1	Case	PPA		Black, UL 94V-0
No.	Parts	Material	Finish	Remarks



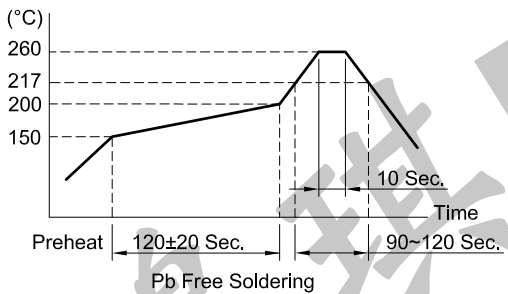
P.C.B TERMINAL POSITION

CIRCUIT ARRANGEMENT



SOLDERING CONDITIONS

SPECIFICATIONS



1. Rating : DC 12V 50mA
2. Contact Resistance : 500mΩ Max.
3. Insulation Resistance : 100MΩ Min. at DC 100V
4. Dielectric Strength : AC 250V for 1 minute
5. Operating Force : 160±50gf
6. Stroke : 0.2±0.1mm
7. Life : 100,000 Cycles
8. Taping : 1,600 Pcs/Reel
9. Operating Temperature Range : -20~+70°C
10. Storage Temperature Range : -30~+85°C

REVISION:		DATE:		REVISION:		DATE:	
UNIT:mm	THIRD ANGLE PROJECTION METHOD	TOL. UNLESS OTHERWISE STATED:±0.3		CODE NO.:HCH-2095-2			
ISSUED	CONFIRMED	HCH [®] HORNG CHIH 鴻琪股份有限公司 <small>ISO9001 Certified ISO14001 Certified</small>				PART NO.	
<i>John</i>	<i>Elvis</i>					PTS-179	
2018.05.02	2018.05.02						