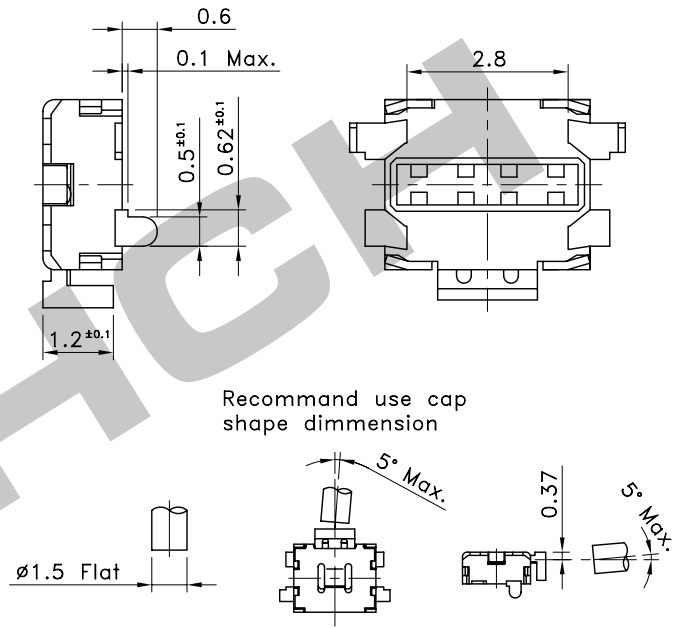
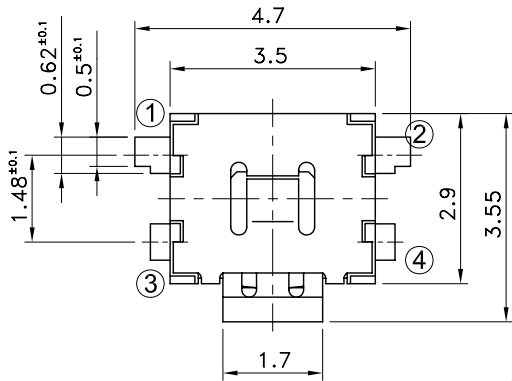
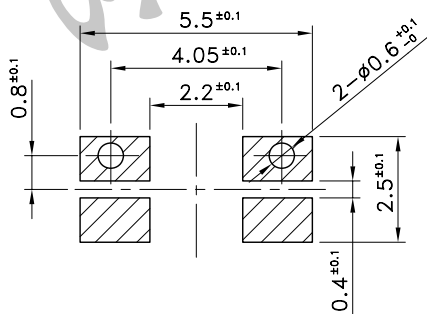


Part No.	Operating Force
PTS-169-A	160 ⁺⁷⁰ ₋₄₀ gf
PTS-169-B	220 ⁺⁸⁰ ₋₇₀ gf

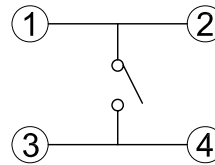


Recommend use cap shape dimension

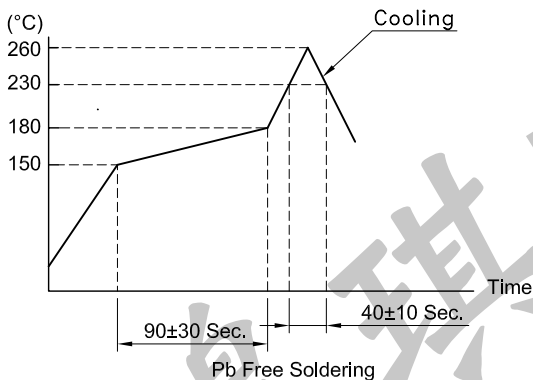
P.C.B TERMINAL POSITION



CIRCUIT ARRANGEMENT



SOLDERING CONDITIONS



SPECIFICATIONS

- Rating : DC 12V 50mA Max.
- Contact Resistance : 500mΩ Max.
- Insulation Resistance : 100MΩ Min. at DC 100V
- Dielectric Strength : AC 250V for 1 Minute
- Stroke : 0.2^{+0.2}_{-0.1} mm
- Life : 100,000 Cycles
- Taping : 5,000 Pcs/Reel
- Operating Temperature Range : -20~+70°C
- Storage Temperature Range : -40~+85°C (Bulk)
: -20~+60°C (Taping)
- Reflow soldering : According Reflow Profile
Max. 2 Times
- Manual soldering : Tip Temperature 280°C Max.
Soldering Time 3 Sec. Max.

REVISION:	DATE:	REVISION:	DATE:
UNIT:mm	THIRD ANGLE PROJECTION METHOD	TOL. UNLESS OTHERWISE STATED:±0.2	CODE NO.:HCH-1650
ISSUED	CONFIRMED	PART NO.	
John	Elvis	PTS-169	
2010.05.06	2010.05.06		