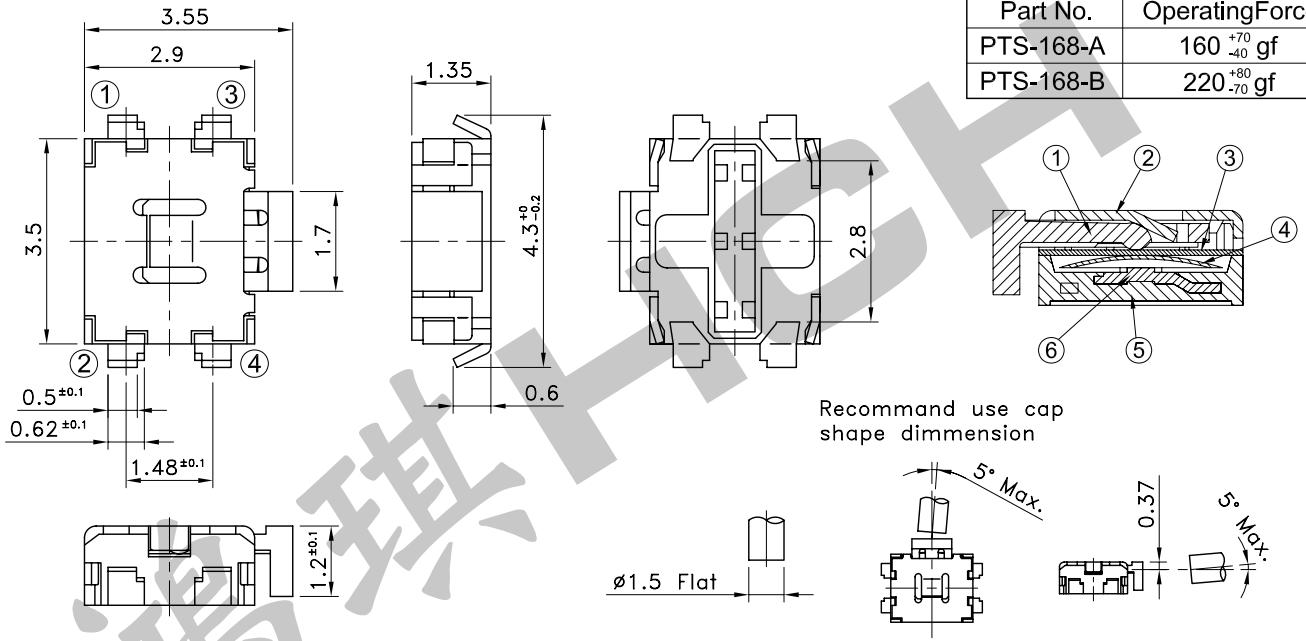
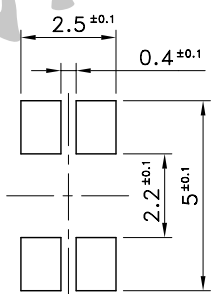


6	Immovable Contactor	Brass Plate	Silver Plating
5	Mounting Base	PPA / Liquid Crystal Polymer	
4	Movable Contactor	Cold Rolled Stainless Steel Strip For Spring	One Side Silver Plating
3	Film	Teflon	
2	Washer	Stainless Steel Sheet	
1	Push Plate	46 Nylon	
No.	Parts	Material	Finish

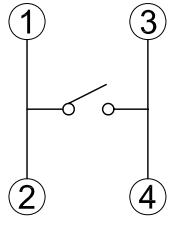
Part No.	Operating Force
PTS-168-A	160 ⁺⁷⁰ ₋₄₀ gf
PTS-168-B	220 ⁺⁸⁰ ₋₇₀ gf



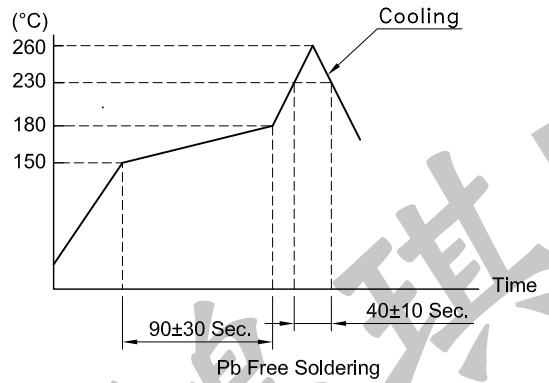
P.C.B TERMINAL POSITION



CIRCUIT ARRANGEMENT



SOLDERING CONDITIONS



SPECIFICATIONS

- 1. Rating : DC 12V 50mA Max.
- 2. Contact Resistance : 500mΩ Max.
- 3. Insulation Resistance : 100MΩ Min. at DC 100V
- 4. Dielectric Strength : AC 250V for 1 Minute
- 5. Stroke : 0.2^{+0.2}_{-0.1} mm
- 6. Life : 100,000 Cycles
- 7. Taping : 5,000 Pcs/Reel
- 8. Operating Temperature Range : -20~+70°C
- 9. Storage Temperature Range : -40~+85°C (Bulk)
: -20~+60°C (Taping)
- 10. Manual soldering : Tip Temperature 280°C Max.
Soldering Time 3 Sec. Max.

REVISION:		DATE:		REVISION:		DATE:	
UNIT:mm		THIRD ANGLE PROJECTION METHOD		TOL. UNLESS OTHERWISE STATED:±0.2		CODE NO.:HCH-1649	
ISSUED		CONFIRMED		HCH HORNG CHIH ISO9001 Certified 鴻琪股份有限公司 ISO14001 Certified		PART NO. PTS-168	
John		Elvis					
2010.05.05		2010.05.05					